

CONFIX FWS-A

Bulkhead Fittings for Conduit Screw Connections



IP54



Metric internal thread for
conduit screwing

Product Description

The 90° angled conduit fitting CONFIX FWS is for installation of parallel corrugated cable protection conduits, e.g. in machines, control panels or other electronic enclosures.

The liftable cover is tightly fixed by a hinge to the mounting box. Therefore, the system is very easy to handle.

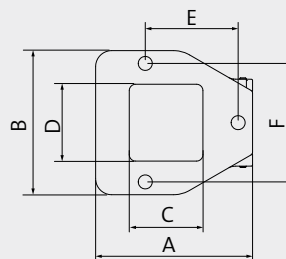
CONFIX FWS is offered in the following versions:

CONFIX FWS-A with metric internal thread M16 to M50

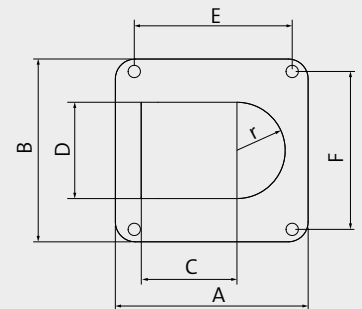
CONFIX FWS-B with a grooved conduit clip for types with sizes NW 13, 17, 23, 29, 37 and 50.

The available colors are gray (RAL 7011) and black (RAL 9005).

Type	Internal Thread	Hole Ø [mm]	Size (A × B) [mm]	Cut-out (C × D) [mm]	Drill. Templ. (E × F) [mm]	Order No.	PU
CONFIX FWS-A 16	M16 × 1.5	3 × 4.3	49 × 45	22 × 22.6	29 × 37	■ 31380 ■ 31381	10
CONFIX FWS-A 20	M20 × 1.5	3 × 4.3	49 × 45	22 × 22.6	29 × 37	■ 31383 ■ 31384	10
CONFIX FWS-A 25	M25 × 1.5	3 × 6.6	67 × 63	37 × 28	41.5 × 51.5	■ 31386 ■ 31387	10
CONFIX FWS-A 32	M32 × 1.5	4 × 6.6	85.5 × 76	41.9 × 40 r = 20	64.5 × 64.5	■ 31389 ■ 31390	10
CONFIX FWS-A 40	M40 × 1.5	4 × 6.6	97 × 92	48.3 × 48.4 r = 24.2	79.5 × 79.5	■ 31392 ■ 31393	5
CONFIX FWS-A 50	M50 × 1.5	4 × 6.6	111.5 × 100.5	53 × 60.5 r = 30.25	87.5 × 87.5	■ 31395 ■ 31396	5



Size / Drilling template
FWS-A 16 to 25



Size / Drilling template
FWS-A 32 to 50

Accessories

CONFIX WS conduits Page 120 - 121

IP54



RoHS
compliant

Made in
Germany

CONFIX FWS-B

Bulkhead Fittings for Direct Conduit Pickup



Grooved conduit clip



Fixed cover due to hinges



Type	Dimension*	Hole Ø [mm]	Size (A × B) [mm]	Cut-out (C × D) [mm]	Drill. Templ. (E × F) [mm]	Order No.	PU
CONFIX FWS-B 11	NW 13	3 × 4.3	49 × 45	22 × 22.6	29 × 37	■ 31410 ■ 31411	10
CONFIX FWS-B 16	NW 17	3 × 4.3	49 × 45	22 × 22.6	29 × 37	■ 31413 ■ 31414	10
CONFIX FWS-B 21	NW 23	3 × 6.6	67 × 63	37 × 28	41.5 × 51.5	■ 31416 ■ 31417	10
CONFIX FWS-B 29	NW 29	4 × 6.6	85.5 × 76	41.9 × 40 r = 20	64.5 × 64.5	■ 31419 ■ 31420	10
CONFIX FWS-B 36	NW 37	4 × 6.6	97 × 92	48.3 × 48.4 r = 24.2	79.5 × 79.5	■ 31422 ■ 31423	5
CONFIX FWS-B 48	NW 50	4 × 6.6	111.5 × 100.5	53 × 60.5 r = 30.25	87.5 × 87.5	■ 31425 ■ 31426	5

Advantages

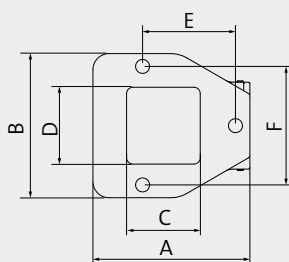
- Fixed cover
- Fast and easy installation
- Functional design
- Protection class IP54

Specifications

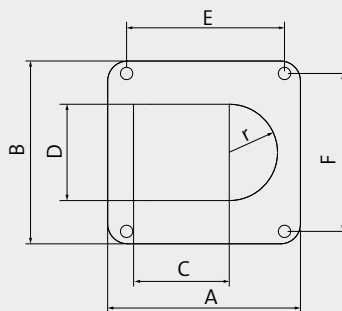
Material	Polycarbonate (PC)
Color	■ black (RAL 9005) ■ gray (RAL 7011)
Protection class	IP54
Flame class	UL94-V0, self-extinguishing
Temperature	-30°C to +100°C (static)
Properties	Halogen free, silicone free

Accessories

CONFIX WS Conduits	Page 120 - 121
CONFIX WST Split conduits	Page 122



Size / Drilling template
FWS-B 11 to 21



Size / Drilling template
FWS-B 29 to 48

* For parallel corrugated cable protection conduit with dimension (NW)