

KEL-DP round Cable Entry Plates



KEL-DP also available in black.



Membrane on front



Special fixing ribs ensure a centered fit.

Type	Order No. Type A	Order No. Type B	Number of cables	Cut-out	External diameter DA	PU
KEL-DP 25 4	<input type="checkbox"/> 43533 <input checked="" type="checkbox"/> 50533	-	4× max. 8 mm	∅ 25 mm	32 mm	10
KEL-DP 25 6	<input type="checkbox"/> 43531 <input checked="" type="checkbox"/> 50531	-	4× max. 5.2 mm 2× max. 9.4 mm	∅ 25 mm	32 mm	10
KEL-DP 32 10	<input type="checkbox"/> 43532 <input checked="" type="checkbox"/> 50532	<input type="checkbox"/> 43560 <input checked="" type="checkbox"/> 50560	6× max. 5.2 mm 2× max. 6.4 mm 2× max. 9.4 mm	∅ 32 mm	38 mm	10
KEL-DP 50 9	<input type="checkbox"/> 43554 <input checked="" type="checkbox"/> 50554	<input type="checkbox"/> 43568 <input checked="" type="checkbox"/> 50568	5× max. 7 mm 4× max. 18 mm	∅ 50 mm	60 mm	10
KEL-DP 50 11	<input type="checkbox"/> 43555 <input checked="" type="checkbox"/> 50555	<input type="checkbox"/> 43569 <input checked="" type="checkbox"/> 50569	7× max. 7.2 mm 3× max. 11.2 mm 1× max. 22.5 mm	∅ 50 mm	60 mm	10

* Only valid for gray product types

Product Description

KEL-DP entry plates are designed for routing standard cables (without connectors).

The KEL-DP products are a cost saving alternative to traditional cable glands.

Simply put a small slit in the thin membrane, push standard cables through and it's immediately sealed (IP65).

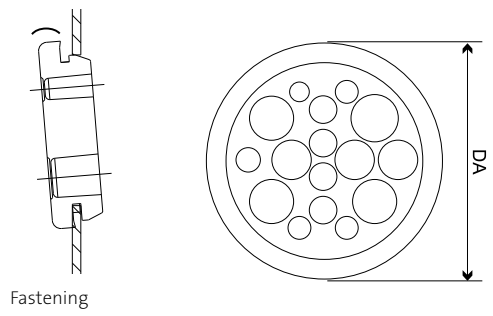
ST-B Plugs can be used for sealing pierced membranes if cables have been removed.

Special fixing ribs ensure a centered fit in the cut-outs.

Advantages

- Quick and easy assembly, no tools required
- High packing density
- Cost-effective
- For wall thickness 1.5 - 4 mm

KEL-DP round Cable Entry Plates



Type	Order No. Type A	Order No. Type B	Number of cables	Cut-out	External diameter DA	PU
KEL-DP 50 12	<input type="checkbox"/> 43551 <input checked="" type="checkbox"/> 50551	<input type="checkbox"/> 43562 <input checked="" type="checkbox"/> 50562	10× max. 9.2 mm 2× max. 11.2 mm	∅ 50 mm	60 mm	10
KEL-DP 50 16	<input type="checkbox"/> 43550 <input checked="" type="checkbox"/> 50550	<input type="checkbox"/> 43564 <input checked="" type="checkbox"/> 50564	4× max. 5.3 mm 5× max. 6.3 mm 3× max. 9.5 mm 4× max. 11.3 mm	∅ 50 mm	60 mm	10
KEL-DP 50 18	<input type="checkbox"/> 43553 <input checked="" type="checkbox"/> 50553	<input type="checkbox"/> 43567 <input checked="" type="checkbox"/> 50567	2× max. 4 mm 2× max. 6 mm 4× max. 7.2 mm 5× max. 9.4 mm 5× max. 12 mm	∅ 50 mm	60 mm	10
KEL-DP 50 20	<input type="checkbox"/> 43552 <input checked="" type="checkbox"/> 50552	<input type="checkbox"/> 43566 <input checked="" type="checkbox"/> 50566	16× max. 6.3 mm 4× max. 9.3 mm	∅ 50 mm	60 mm	10
KEL-DP 50 35	<input type="checkbox"/> 43556 <input checked="" type="checkbox"/> 50556	<input type="checkbox"/> 43570 <input checked="" type="checkbox"/> 50570	35× max. 5.2 mm	∅ 50 mm	60 mm	10

Specifications

Material	Elastomer
Color	<input type="checkbox"/> gray (similar RAL 7035) <input checked="" type="checkbox"/> black
Flame class	UL94-Vo, self-extinguishing
Protection class	IP65
Temperature	- 40°C to + 90°C (static)
Properties	Halogen free, silicone free
Cut-out dimensions	Metric standard sizes
Height	5 mm
Type A:	For wall thickness 1.5 - 2.5 mm
Type B:	For wall thickness 2.8 - 4 mm

Accessories

ST-B Plugs	Page 64
FP Flanged plates	Page 132 - 137

* Only valid for gray product types