



NAN Series

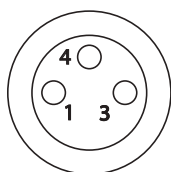
Snap-On 2

Thread-On 3

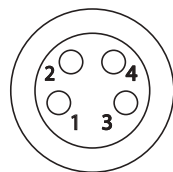
LED 4

Field Wireable 5

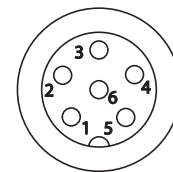
Receptacle 6



3 Pole



4 Pole



6 Pole

NAN Series



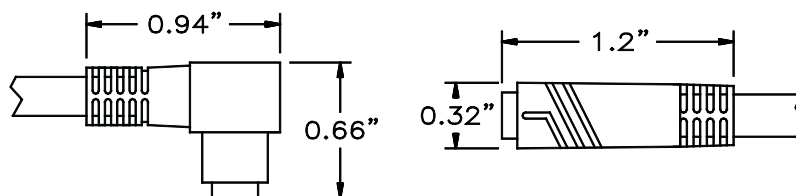
NAN Series Snap-On Cordsets

PVC & PUR Cable ❖ Snap-On Style Female Plugs

PVC Version						
Face View of Female	# of Poles	Color Code	Rating	Length	Female Straight	Female Right Angle
	3	1-Brown 2-Not Used 3-Blue 4-Black	60V 4A	2 M 5 M 10 M	NAN-3FP-2M NAN-3FP-5M NAN-3FP-10M	NAN-3FP-2M-R NAN-3FP-5M-R NAN-3FP-10M-R
	4	1-Brown 2-White 3-Blue 4-Black	60V 4A	2 M 5 M 10 M	NAN-4FP-2M NAN-4FP-5M NAN-4FP-10M	NAN-4FP-2M-R NAN-4FP-5M-R NAN-4FP-10M-R
PUR Version						
Face View of Female	# of Poles	Color Code	Rating	Length	Female Straight	Female Right Angle
	3	1-Brown 2-Not Used 3-Blue 4-Black	60V 4A	2 M 5 M 10 M	NANP-3FP-2M NANP-3FP-5M NANP-3FP-10M	NANP-3FP-2M-R NANP-3FP-5M-R NANP-3FP-10M-R
	4	1-Brown 2-White 3-Blue 4-Black	60V 4A	2 M 5 M 10 M	NANP-4FP-2M NANP-4FP-5M NANP-4FP-10M	NANP-4FP-2M-R NANP-4FP-5M-R NANP-4FP-10M-R

Specifications:

Body: Black PUR or Oil Resistant Black PVC
 Insulator: Polyamide
 Contacts: Copper Alloy with Gold Plating
 Cable: Black PUR or Oil Resistant Black PVC Jacket
 Cable O.D.: 0.18"
 Conductors: 24 AWG, 60V
 Temperature: PUR: -40°C to +80°C (-40°F to +176°F)
 PVC: -25°C to +105°C (-13°F to +221°F)
 Protection: IP 67
 Approvals: Pending: U.S.: UL and Canada: C-UL



NAN Series Thread-On Cordsets

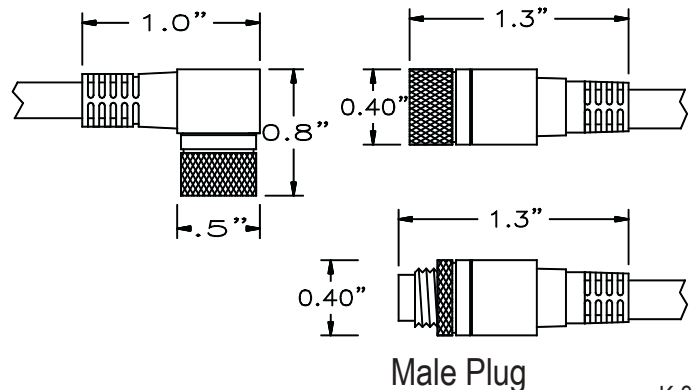
PVC & PUR Cable ❖ Thread-On Style Plugs



PVC Version							
Face View of Male	# of Poles	Color Code	Rating	Length	Female Straight	Female Right Angle	Male Straight
	3	1-Brown 2-Not Used 3-Blue 4-Black	60V 4A	2 M 5 M 10 M	NAN-T-3FP-2M NAN-T-3FP-5M NAN-T-3FP-10M	NAN-T-3FP-2M-R NAN-T-3FP-5M-R NAN-T-3FP-10M-R	NAN-T-3MP-2M NAN-T-3MP-5M NAN-T-3MP-10M
	4	1-Brown 2-White 3-Blue 4-Black	60V 4A	2 M 5 M 10 M	NAN-T-4FP-2M NAN-T-4FP-5M NAN-T-4FP-10M	NAN-T-4FP-2M-R NAN-T-4FP-5M-R NAN-T-4FP-10M-R	NAN-T-4MP-2M NAN-T-4MP-5M NAN-T-4MP-10M
	6	1-Brown 2-White 3-Blue 4-Black 5-Gray 6-Pink	60V 4A	2 M 5 M 10 M	NAN-T-6FP-2M NAN-T-6FP-5M NAN-T-6FP-10M		NAN-T-6MP-2M NAN-T-6MP-5M NAN-T-6MP-10M
Polyurethane Version							
Face View of Female	# of Poles	Color Code	Rating	Length	Female Straight	Female Right Angle	
	3	1-Brown 2-Not Used 3-Blue 4-Black	60V 4A	2 M 5 M	NANP-T-3FP-2M NANP-T-3FP-5M	NANP-T-3FP-2M-R NANP-T-3FP-5M-R	
	4	1-Brown 2-White 3-Blue 4-Black	60V 4A	2 M 5 M	NANP-T-4FP-2M NANP-T-4FP-5M	NANP-T-4FP-2M-R NANP-T-4FP-5M-R	

Specifications:

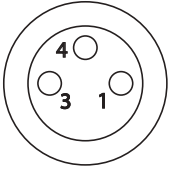
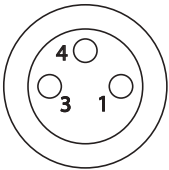
Body: Black PUR or Oil Resistant Black PVC
Insulator: Polyamide
Contacts: Copper Alloy with Gold Plating
Coupling Nut: Nickel Plated Brass
Cable: Black PUR or Oil Resistant Black PVC Jacket
Cable O.D.: 3, 4, & 6 pole 0.18" (4.5mm)
Conductors: 3 & 4 pole, 24 AWG, 60V
 6 pole, 26 AWG, 60V
O-Ring: BUNA-N
Temperature: PUR: -40°C to +80°C (-40°F to +176°F)
 PVC: -25°C to +105°C (-13°F to +221°F)
Protection: IP 67





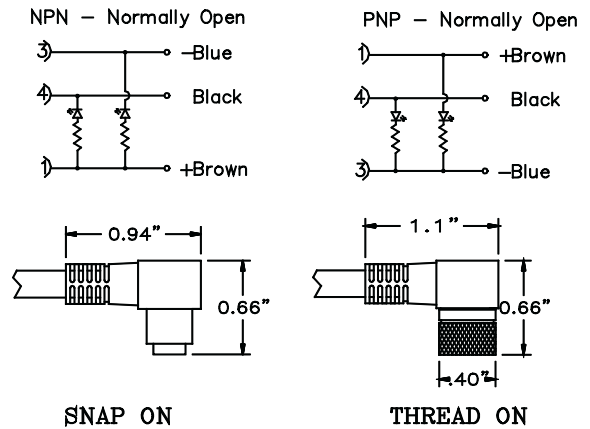
NAN Series Snap-On & Thread-On Cordsets

Lighted Plugs

Snap-On Style						
Face View of Female	# of Poles	Color Code	Wire AWG Rating	Length	PNP Normally Open	NPN Normally Open
	3	1-Brown 2-Not Used 3-Blue 4-Black	24 30VDC 4A	2 M 5 M	NAN-3FP-2M-R-PNP NAN-3FP-5M-R-PNP	NAN-3FP-2M-R-NPN NAN-3FP-5M-R-NPN
Thread-On Style						
Face View of Female	# of Poles	Color Code	Wire AWG Rating	Length	PNP Normally Open	NPN Normally Open
	3	1-Brown 2-Not Used 3-Blue 4-Black	24 30VDC 4A	2 M 5 M	NAN-T-3FP-2M-R-PNP NAN-T-3FP-5M-R-PNP	NAN-T-3FP-2M-R-NPN NAN-T-3FP-5M-R-NPN

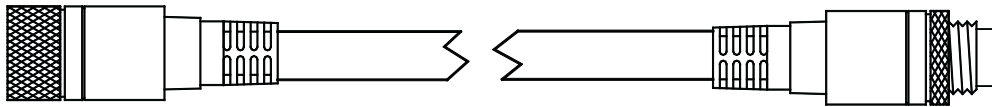
Specifications:

Body: Oil Resistant Transparent PVC
 Insulator: PUR
 Contacts: Copper Alloy with Gold Plating
 Coupling Nut: Nickel Plated Brass
 Cable: Oil Resistant Black PVC Jacket,
 Rated at 30V, 90°C, Non-Wicking,
 Non-Hygroscopic
 Cable O.D.: 0.18"
 Conductors: 24 AWG Bare Copper Wire
 PVC Insulated
 Temperature: -25°C to +90°C (-13°F to +194°F)
 Protection: IP 67



NAN Series Plugs

Extension Cable Thread-On Style Plugs ❖ Field Wireable Plugs



Specifications:

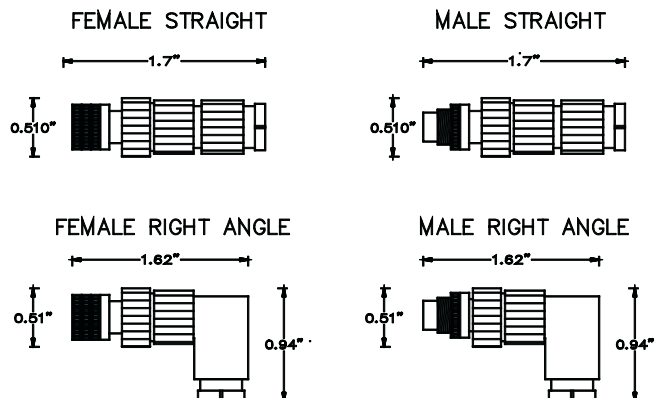
Body: Oil Resistant Black PVC
 Insulator: Polyamide
 Contacts: Copper Alloy with Gold Plating
 Coupling Nut: Nickel Plated Brass
 Cable: Oil Resistant Gray or Black PVC Jacket, Rated at 60V, 90°C, Non-Wicking, Non-Hygroscopic
 Cable O.D.: 0.18"
 Conductors: 24 AWG, 60V
 Temperature: -25°C to +90°C (-13°F to +194°F)
 Protection: IP 67

Extension Cable Thread-On Style Plugs				
Face View of Male	# of Poles	Wire AWG Rating	Length	Straight Male to Straight Female
	3	24 60V 4A	1 M	NAN-T-3MFP-1M
			2 M	NAN-T-3MFP-2M
			4 M	NAN-T-3MFP-4M
			5 M	NAN-T-3MFP-5M
			6 M	NAN-T-3MFP-6M
	4	24 60V 4A	1 M	NAN-T-4MFP-1M
			2 M	NAN-T-4MFP-2M
			4 M	NAN-T-4MFP-4M
			5 M	NAN-T-4MFP-5M
			6 M	NAN-T-4MFP-6M
	6	24 60V 4A	1 M	NAN-T-6MFP-1M
			2 M	NAN-T-6MFP-2M
			4 M	NAN-T-6MFP-4M
			5 M	NAN-T-6MFP-5M
			6 M	NAN-T-6MFP-6M

Field Wireable Plugs (Axial Piercing)							
Face View of Male	# of Poles	Wire AWG Rating	PG Size Cable Range	Female Straight	Female Right Angle	Male Straight	Male Right Angle
	3	22 - 24 60V 4A	PG 7 4 - 5 mm	NAN-T-3FP-FW	NAN-T-3FP-FW-R	NAN-T-3MP-FW	NAN-T-3MP-FW-R
				NAN-T-4FP-FW	NAN-T-4FP-FW-R	NAN-T-4MP-FW	NAN-T-4MP-FW-R

Specifications:

Body: Oil Resistant Black PVC
 Insulator: Polyamide
 Contacts: Copper Alloy with Gold Plating
 Coupling Nut: Nickel Plated ZnAl
 Temperature: -25°C to +90°C (-13°F to +194°F)
 Protection: IP 67

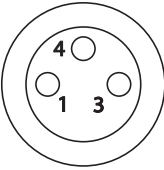
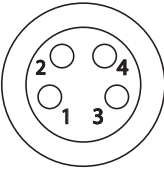


NAN Series



NAN Series Receptacles

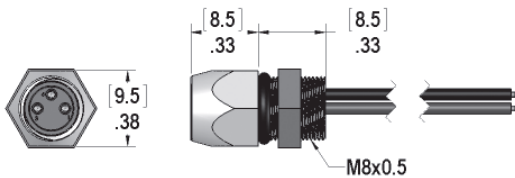
24 AWG 60V ❖ 1/2" - 14 NPT ❖ M8 x 0.5 Mounting Threads

Face View of Male	# of Poles	Color Code	Wire AWG Rating	Thread Type	Female Receptacle	Male Receptacle
	3	1-Brown 2-Not Used 3-Blue 4-Black	24 60V 4A	1/2" NPT M8 x 0.5	 NAN-T-3FR-M8	NAN-T-3MR-2 NAN-T-3MR-M8
	4	1-Brown 2-White 3-Blue 4-Black	24 60V 4A	1/2" NPT M8 x 0.5	 NAN-T-4FR-M8	NAN-T-4MR-2 NAN-T-4MR-M8

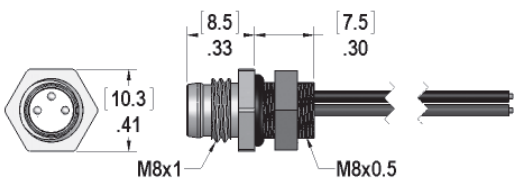
Specifications:

Shell: Nickel Plated Brass
 Insulator: Polyamide
 Contacts: Copper Alloy with Gold Plating
 Wires: 24 AWG
 O-Ring: BUNA-N
 Temperature: -25°C to +90°C (-13°F to +194°F)

M8 Female Receptacle



M8 Male Receptacle



1/2" NPT Male Receptacle

