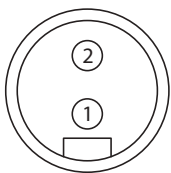


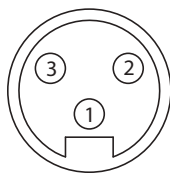


# MIN Series Size I Receptacles

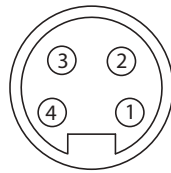
Receptacles ..... 2-13  
Accessories ..... 14



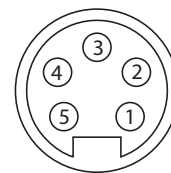
2 Pole



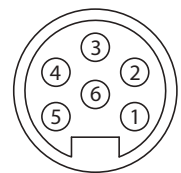
3 Pole



4 Pole



5 Pole



6 Pole



# MIN Series Size I Receptacles

North American Color Code ❖ 1/2"-14 NPT Threads ❖ 16, 18, 22 AWG

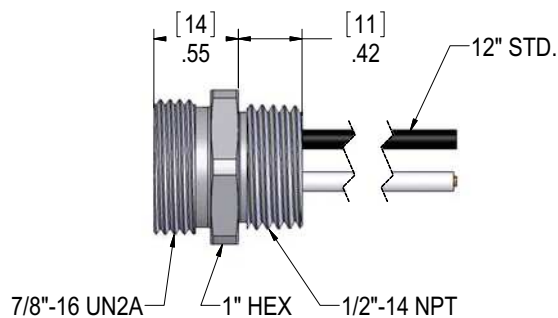
MIN Series Size I Receptacles

Face View of Male	# of Poles	Color Code	Rating	Wire AWG	Male Receptacles	Female Receptacles
	2	1-White 2-Black	600V 13A	16	MIN-2MR-1	MIN-2FR-1
			300V 10A	18	MIN-2MR-1-18	MIN-2FR-1-18
			300V 4A	22	MIN-2MR-5-22	MIN-2FR-1-22
	3	1-Green/Yellow 2-Black 3-White	600V 13A	16	MIN-3MR-1	MIN-3FR-1
			300V 10A	18	MIN-3MR-1-18	MIN-3FR-1-18
			300V 4A	22	MIN-3MR-5-22	MIN-3FR-1-22
	4	1-Black 2-White 3-Red 4-Green/Yellow	600V 10A	16	MIN-4MR-1	MIN-4FR-1
			300V 5.5A	18	MIN-4MR-1-18	MIN-4FR-1-18
			300V 4A	22	MIN-4MR-5-22	MIN-4FR-1-22
	5	1-White 2-Red 3-Green/Yellow 4-Orange 5-Black	600V 8A	16	MIN-5MR-1	MIN-5FR-1
			300V 5.5A	18	MIN-5MR-1-18	MIN-5FR-1-18
			300V 4A	22	MIN-5MR-5-22	MIN-5FR-1-22
	6	1-White 2-Red 3-Green/Yellow 4-Orange 5-Black 6-Blue	300V 5.5A	16	MIN-6MR-1	MIN-6FR-1
			300V 10A	18	MIN-6MR-1-18	MIN-6FR-1-18
			300V 4A	22	MIN-6MR-5-22	MIN-6FR-1-22

12" leads are standard (6" standard on male 22AWG). Longer lead lengths are available, please consult the factory for part numbers. For Stainless Steel or Nylon shell, add a "-SS" suffix for Stainless or "-N" for Nylon (e.g. MIN-3MR-1 becomes MIN-3MR-1-SS). O-Ring and Lock Nut are included on lengths of 18 inches or longer.

### Specifications:

Shell: Clear Anodized Aluminum  
 Insulator: 105°C, Oil Resistant Yellow PVC  
 Wire: 16 AWG: UL Style 1015, 600V  
 18 & 22 AWG: UL Style 1007/1569, 300V  
 Contacts: Copper Alloy with Gold Plating  
 Temperature: -40°C to 105°C (-40°F to +221°F)  
 Protection: IP 67  
 Approvals: U.S.: UL Recognized  
 Canada: C-UL Recognized



# MIN Series Size I Receptacles

North American Automotive Color Code ❖ ANSI B93.55M-1981 ❖  
1/2"-14 NPT Threads ❖ 16, 18, 22 AWG



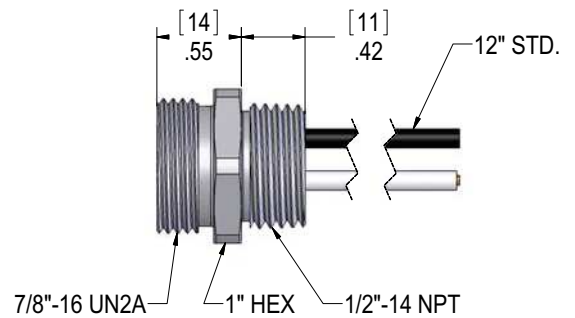
MIN Series Size I Receptacles

Face View of Male	# of Poles	Color Code	Rating	Wire AWG	Male Receptacles	Female Receptacles
	3	1-Green/Yellow 2-Red w/ Black 3-Red w/ White	600V 13A	16	MIN-3MR-1A	MIN-3FR-1A
			300V 10A	18	MIN-3MR-1A-18	MIN-3FR-1A-18
			300V 4A	22	MIN-3MR-5A-22	MIN-3FR-1A-22
	5	1-Red w/ White 2-Red 3-Green/Yellow 4-Red w/ Yellow 5-Red w/ Black	600V 8A	16	MIN-5MR-1A	MIN-5FR-1A
			300V 5.5A	18	MIN-5MR-1A-18	MIN-5FR-1A-18
			300V 4A	22	MIN-5MR-5A-22	MIN-5FR-1A-22

12" leads are standard (6" standard on male 22 AWG). Longer lead lengths are available, please consult the factory for part numbers. For Stainless Steel or Nylon shell, add a "-SS" suffix for Stainless or "-N" for Nylon (e.g. MIN-3MR-1 becomes MIN-3MR-1-SS). O-Ring and Lock Nut are included on lengths of 18 inches or longer.

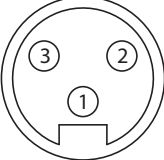
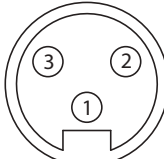
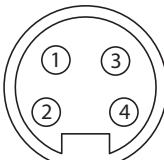
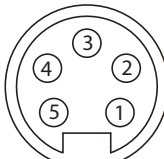
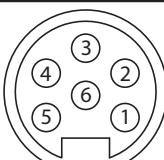
**Specifications:**

- Shell: Clear Anodized Aluminum
- Insulator: 105°C, Oil Resistant Yellow PVC
- Wire: 16 AWG: UL Style 1015, 600V  
18 & 22 AWG: UL Style 1007/1569, 300V
- Contacts: Copper Alloy with Gold Plating
- Temperature: -40°C to 105°C (-40°F to +221°F)
- Protection: IP 67
- Approvals: U.S.: UL Recognized  
Canada: C-UL Recognized



# MIN Series Size I Receptacles

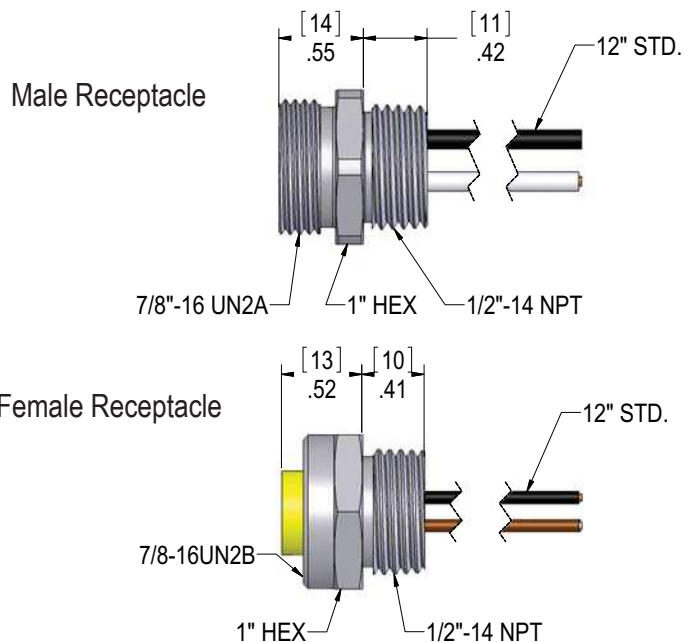
European Color Code ❖ 1/2"-14 NPT Threads ❖ 18, 22 AWG

Face View of Male	# of Poles	Color Code	Rating	Wire AWG	Male Receptacles	Female Receptacles
	3	1-Black 2-Brown 3-Blue	300V 8A	18	MINC-3MR-1-18	MINC-3FR-1-18
			300V 4A	22	MINC-3MR-5-22	MINC-3FR-1-22
	3	1-Green/Yellow 2-Brown 3-Blue	300V 10A	18	MINE-3MR-1-18	MINE-3FR-1-18
			300V 4A	22	MINE-3MR-5-22	MINE-3FR-1-22
	4	1-Brown 2-White 3-Blue 4-Black	300V 5.5A	18	MINC-4MR-1-18	MINC-4FR-1-18
			300V 4A	22	MINC-4MR-5-22	MINC-4FR-1-22
	5	1-Black 2-Blue 3-Green/Yellow 4-Brown 5-White	300V 5.5A	18	MINE-5MR-1-18	MINE-5FR-1-18
			300V 4A	22	MINE-5MR-5-22	MINE-5FR-1-22
	6	1-Green 2-White 3-Blue 4-Gray 5-Yellow 6-Brown	300V 5.5A	18	MINE-6MR-1-18	MINE-6FR-1-18
			300V 4A	22	MINE-6MR-5-22	MINE-6FR-1-22

12" leads are standard (6" standard on male 22 AWG). Longer lead lengths are available, please consult the factory for part numbers. For Nylon male shell, add a "-N" suffix for Nylon (e.g. MINC-3MR-1-18 becomes MINC-3MR-1-18-N). Nylon shell is not available for female receptacles. For Stainless Steel male or female shell, add a "-SS" suffix. O-Ring and Lock Nut are included on lengths of 18 inches or longer.

### Specifications:

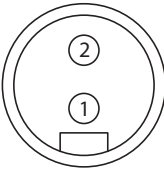
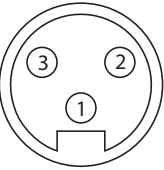
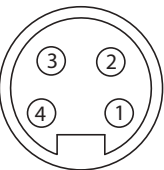
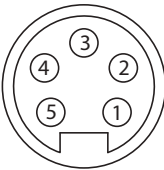
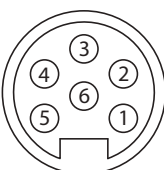
Shell: Clear Anodized Aluminum  
 Insulator: 105°C, Oil Resistant Yellow PVC  
 Wire: 18 & 22 AWG: UL Style 1007/1569, 300V  
 Contacts: Copper Alloy with Gold Plating  
 Temperature: -40°C to 105°C (-40°F to +221°F)  
 Protection: IP 67  
 Approvals: U.S.: UL Recognized  
 Canada: C-UL Recognized



# MIN Series Size I Receptacles

Solder Cup Receptacles ❖ 1/2" - 14 NPT Threads

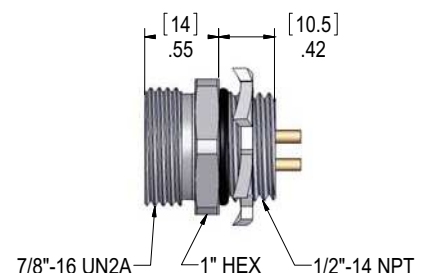
MIN Series Size I Receptacles

Face View of Male	# of Poles	Wire AWG Rating	Male Receptacles	Female Receptacles
	2	16 AWG MAX 600V 13A MAX	MIN-2MR-SC	MIN-2FR-SC
	3	16 AWG MAX 600V 13A MAX	MIN-3MR-SC	MIN-3FR-SC
	4	16 AWG MAX 600V 10A MAX	MIN-4MR-SC	MIN-4FR-SC
	5	16 AWG MAX 600V 8A MAX	MIN-5MR-SC	MIN-5FR-SC
	6	16 AWG MAX 600V 8A MAX	MIN-6MR-SC	MIN-6FR-SC

Voltage and amperage ratings are wire dependent and are based on 600V 16 AWG wire. Wires with lower voltage ratings and smaller conductors will lower these ratings. Stainless Steel or Nylon shells and Metric or PG threads are available, please consult the factory for part numbers.

### Specifications:

Shell: Clear Anodized Aluminum  
 Insulator: 105°C, Oil Resistant Yellow PVC  
 Contacts: Copper Alloy with Gold Plating  
 O-Ring: BUNA-A  
 Lock Nut: Zinc Plated Steel  
 Temperature: -40°C to 105°C (-40°F to +221°F)  
 Protection: IP 67





# MIN Series Size I Receptacles: Right Angle

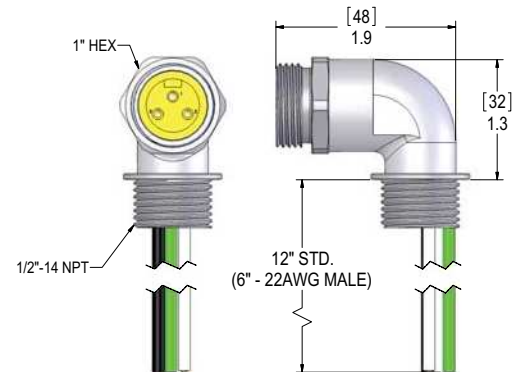
North American Color Code ❖ 1/2"-14 NPT Threads ❖ 14, 16, 18, 22 AWG

MIN Series Size I Receptacles

Face View of Male	# of Poles	Color Code	Rating	Wire AWG	Male Receptacles	Female Receptacles
	2	1-White 2-Black	600V 13A	16	MIN-2MR-1-R	MIN-2FR-1-R
			300V 10A	18	MIN-2MR-1-18-R	MIN-2FR-1-18-R
			300V 4A	22	MIN-2MR-5-22-R	MIN-2FR-1-22-R
	3	1-Green/Yellow 2-Black 3-White	600V 18A	14	MINH-3MR-1-R	MINH-3FR-1-R
			600V 13A	16	MIN-3MR-1-R	MIN-3FR-1-R
			300V 10A	18	MIN-3MR-1-18-R	MIN-3FR-1-18-R
	4	1-Black 2-White 3-Red 4-Green/Yellow	300V 4A	22	MIN-3MR-5-22-R	MIN-3FR-1-22-R
			600V 15A	14	MINH-4MR-1-R	MINH-4FR-1-R
			600V 10A	16	MIN-4MR-1-R	MIN-4FR-1-R
	5	1-White 2-Red 3-Green/Yellow 4-Orange 5-Black	300V 5.5A	18	MIN-4MR-1-18-R	MIN-4FR-1-18-R
			300V 4A	22	MIN-4MR-5-22-R	MIN-4FR-1-22-R
			600V 8A	16	MIN-5MR-1-R	MIN-5FR-1-R
	6	1-White 2-Red 3-Green/Yellow 4-Orange 5-Black 6-Blue	300V 5.5A	18	MIN-5MR-1-18-R	MIN-5FR-1-18-R
			300V 4A	22	MIN-5MR-5-22-R	MIN-5FR-1-22-R
			300V 8A	16	MIN-6MR-1-R	MIN-6FR-1-R
	6	1-White 2-Red 3-Green/Yellow 4-Orange 5-Black 6-Blue	300V 5.5A	18	MIN-6MR-1-18-R	MIN-6FR-1-18-R
			300V 4A	22	MIN-6MR-5-22-R	MIN-6FR-1-22-R
			300V 8A	16	MIN-6MR-1-R	MIN-6FR-1-R

**Specifications:**

Shell: Hex: Clear Anodized Aluminum, Elbow: Zinc Die Cast  
 Insulator: 105°C, Oil Resistant Yellow PVC  
 Wire: 16 AWG: UL Style 1015, 600V  
 18 & 22 AWG: UL Style 1007/1569, 300V  
 Contacts: Copper Alloy with Gold Plating  
 Temperature: -40°C to 105°C (-40°F to +221°F)  
 Protection: IP 67  
 Approvals: U.S.: UL Recognized  
 Canada: C-UL Recognized



# MIN Series Size I Receptacles

North American Color Code ❖ European PG Threads ❖ 18, 22 AWG



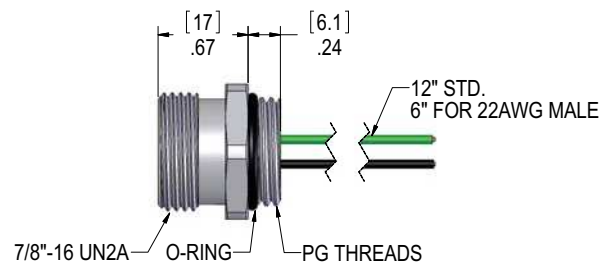
Face View of Male	# of Poles	Color Code	Rating	Wire AWG	Thread Style	Male Receptacles	Female Receptacles
	2	1-White 2-Black	300V 10A	18	PG 11 PG 13.5	MIN-2MR-1-18-PG11 MIN-2MR-1-18-PG13.5	MIN-2FR-1-18-PG11 MIN-2FR-1-18-PG13.5
			300V 4A	22	PG 11 PG 13.5	MIN-2MR-5-22-PG11 MIN-2MR-5-22-PG13.5	MIN-2FR-1-22-PG11 MIN-2FR-1-22-PG13.5
	3	1-Green/Yellow 2-Black 3-White	300V 10A	18	PG 11 PG 13.5	MIN-3MR-1-18-PG11 MIN-3MR-1-18-PG13.5	MIN-3FR-1-18-PG11 MIN-3FR-1-18-PG13.5
			300V 4A	22	PG 11 PG 13.5	MIN-3MR-5-22-PG11 MIN-3MR-5-22-PG13.5	MIN-3FR-1-22-PG11 MIN-3FR-1-22-PG13.5
	4	1-Black 2-White 3-Red 4-Green/Yellow	300V 5.5A	18	PG 11 PG 13.5	MIN-4MR-1-18-PG11 MIN-4MR-1-18-PG13.5	MIN-4FR-1-18-PG11 MIN-4FR-1-18-PG13.5
			300V 4A	22	PG 11 PG 13.5	MIN-4MR-5-22-PG11 MIN-4MR-5-22-PG13.5	MIN-4FR-1-22-PG11 MIN-4FR-1-22-PG13.5
	5	1-White 2-Red 3-Green/Yellow 4-Orange 5-Black	300V 5.5A	18	PG 11 PG 13.5	MIN-5MR-1-18-PG11 MIN-5MR-1-18-PG13.5	MIN-5FR-1-18-PG11 MIN-5FR-1-18-PG13.5
			300V 4A	22	PG 11 PG 13.5	MIN-5MR-5-22-PG11 MIN-5MR-5-22-PG13.5	MIN-5FR-1-22-PG11 MIN-5FR-1-22-PG13.5
	6	1-White 2-Red 3-Green/Yellow 4-Orange 5-Black 6-Blue	300V 5.5A	18	PG 11 PG 13.5	MIN-6MR-1-18-PG11 MIN-6MR-1-18-PG13.5	MIN-6FR-1-18-PG11 MIN-6FR-1-18-PG13.5
			300V 4A	22	PG 11 PG 13.5	MIN-6MR-5-22-PG11 MIN-6MR-5-22-PG13.5	MIN-6FR-1-22-PG11 MIN-6FR-1-22-PG13.5

MIN Series Size I Receptacles

12" leads are standard (6" standard on male 22 AWG). Longer lead lengths are available, please consult the factory for part numbers. Other color codes available, please consult the factory. Lock Nut is included on lengths of 18 inches or longer.

## Specifications:

Shell: Clear Anodized Aluminum  
 Insulator: 105°C, Oil Resistant Yellow PVC  
 Wire: 18 & 22 AWG: UL Style 1007/1569, 300V  
 Contacts: Copper Alloy with Gold Plating  
 O-Ring: BUNA-N  
 Temperature: -40°C to 105°C (-40°F to +221°F)  
 Protection: IP 67  
 Approvals: U.S.: UL Recognized  
 Canada: C-UL Recognized





# MIN Series Size I Receptacles

North American Color Code ❖ Metric Threads ❖ 18, 22 AWG

MIN Series Size I Receptacles

Face View of Male	# of Poles	Color Code	Rating	Wire AWG	Thread Style	Male Receptacles	Female Receptacles
	2	1-White 2-Black	300V 10A	18	M16 x 1.5 M20 x 1.5	MIN-2MR-1-18-M16 MIN-2MR-1-18-M20	MIN-2FR-1-18-M16 MIN-2FR-1-18-M20
			300V 4A	22	M16 x 1.5 M20 x 1.5	MIN-2MR-.5-22-M16 MIN-2MR-.5-22-M20	MIN-2FR-1-22-M16 MIN-2FR-1-22-M20
	3	1-Green/Yellow 2-Black 3-White	300V 10A	18	M16 x 1.5 M20 x 1.5	MIN-3MR-1-18-M16 MIN-3MR-1-18-M20	MIN-3FR-1-18-M16 MIN-3FR-1-18-M20
			300V 4A	22	M16 x 1.5 M20 x 1.5	MIN-3MR-.5-22-M16 MIN-3MR-.5-22-M20	MIN-3FR-1-22-M16 MIN-3FR-1-22-M20
	4	1-Black 2-White 3-Red 4-Green/Yellow	300V 5.5A	18	M16 x 1.5 M20 x 1.5	MIN-4MR-1-18-M16 MIN-4MR-1-18-M20	MIN-4FR-1-18-M16 MIN-4FR-1-18-M20
			300V 4A	22	M16 x 1.5 M20 x 1.5	MIN-4MR-.5-22-M16 MIN-4MR-.5-22-M20	MIN-4FR-1-22-M16 MIN-4FR-1-22-M20
	5	1-White 2-Red 3-Green/Yellow 4-Orange 5-Black	300V 5.5A	18	M16 x 1.5 M20 x 1.5	MIN-5MR-1-18-M16 MIN-5MR-1-18-M20	MIN-5FR-1-18-M16 MIN-5FR-1-18-M20
			300V 4A	22	M16 x 1.5 M20 x 1.5	MIN-5MR-.5-22-M16 MIN-5MR-.5-22-M20	MIN-5FR-1-22-M16 MIN-5FR-1-22-M20
	6	1-White 2-Red 3-Green/Yellow 4-Orange 5-Black 6-Blue	300V 5.5A	18	M16 x 1.5 M20 x 1.5	MIN-6MR-1-18-M16 MIN-6MR-1-18-M20	MIN-6FR-1-18-M16 MIN-6FR-1-18-M20
			300V 4A	22	M16 x 1.5 M20 x 1.5	MIN-6MR-.5-22-M16 MIN-6MR-.5-22-M20	MIN-6FR-1-22-M16 MIN-6FR-1-22-M20

12" leads are standard (6" standard on male 22 AWG). Longer lead lengths are available, please consult the factory for part numbers. Black anodized version available for M20, Stainless Steel version available for M16. Other color codes available, please consult the factory. Lock Nut is included on lengths of 18 inches or longer.

## Specifications:

Shell: M16: Nickel Plated Brass  
M20: Clear Anodized Aluminum

Insulator: 105°C, Oil Resistant Yellow PVC

Wire: 18 & 22 AWG: UL Style 1007/1569, 300V

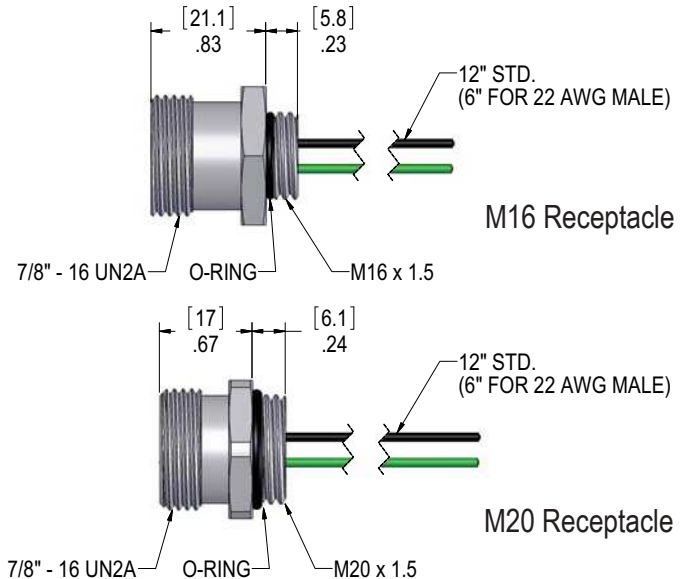
Contacts: Copper Alloy with Gold Plating

O-Ring: BUNA-N

Temperature: -40°C to 105°C (-40°F to +221°F)

Protection: IP 67

Approvals: U.S.: UL Recognized  
Canada: C-UL Recognized



# MIN Series Size I Receptacles

North American Color Code ❖ Back Mount ❖ 16, 18, 22 AWG



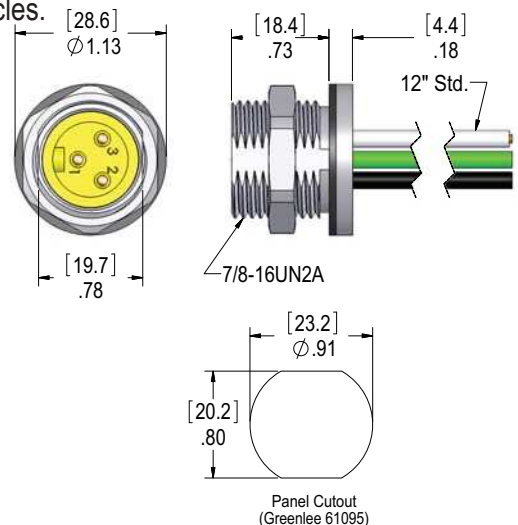
MIN Series Size I Receptacles

Face View of Male	# of Poles	Color Code	Rating	Wire AWG	Male Receptacles	Female Receptacles
	2	1-White 2-Black	600V 13A	16	MIN-2MR-1-BM	MIN-2FR-1-BM
			300V 10A	18	MIN-2MR-1-18-BM	MIN-2FR-1-18-BM
			300V 4A	22	MIN-2MR-5-22-BM	MIN-2FR-1-22-BM
	3	1-Green/Yellow 2-Black 3-White	600V 13A	16	MIN-3MR-1-BM	MIN-3FR-1-BM
			300V 10A	18	MIN-3MR-1-18-BM	MIN-3FR-1-18-BM
			300V 4A	22	MIN-3MR-5-22-BM	MIN-3FR-1-22-BM
	4	1-Black 2-White 3-Red 4-Green/Yellow	600V 10A	16	MIN-4MR-1-BM	MIN-4FR-1-BM
			300V 5.5A	18	MIN-4MR-1-18-BM	MIN-4FR-1-18-BM
			300V 4A	22	MIN-4MR-5-22-BM	MIN-4FR-1-22-BM
	5	1-White 2-Red 3-Green/Yellow 4-Orange 5-Black	600V 8A	16	MIN-5MR-1-BM	MIN-5FR-1-BM
			300V 5.5A	18	MIN-5MR-1-18-BM	MIN-5FR-1-18-BM
			300V 4A	22	MIN-5MR-5-22-BM	MIN-5FR-1-22-BM
	6	1-White 2-Red 3-Green/Yellow 4-Orange 5-Black 6-Blue	300V 8A	16	MIN-6MR-1-BM	MIN-6FR-1-BM
			300V 5.5A	18	MIN-6MR-1-18-BM	MIN-6FR-1-18-BM
			300V 4A	22	MIN-6MR-5-22-BM	MIN-6FR-1-22-BM

12" leads are standard (6" standard on male 22 AWG). Longer lead lengths are available, please consult the factory for part numbers. Gasket and Lock Nut are included on these receptacles.

### Specifications:

**Shell:** Clear Anodized Aluminum  
**Insulator:** 105°C, Oil Resistant Yellow PVC  
**Wire:** 16 AWG; UL Style 1015, 600 V  
 18 & 22 AWG: UL Style 1007/1569, 300V  
**Contacts:** Copper Alloy with Gold Plating  
**Jam Nut:** Clear Anodized Aluminum  
**Gasket:** NBR  
**Temperature:** -40°C to 105°C (-40°F to +221°F)  
**Protection:** IP 67  
**Approvals:** U.S.: UL Recognized  
 Canada: C-UL Recognized





# MIN Series Size I Receptacles

North American Color Code ❖ Panel Mount ❖ 16, 18, 22 AWG

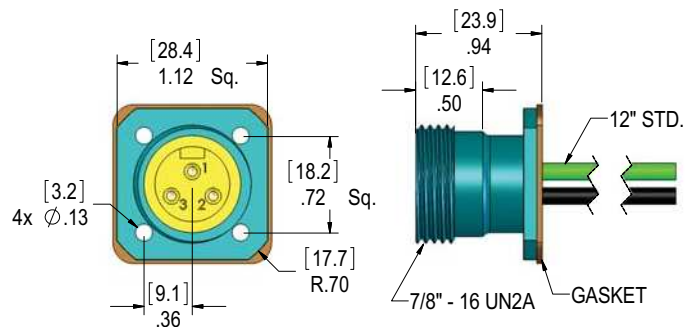
MIN Series Size I Receptacles

Face View of Male	# of Poles	Color Code	Rating	Wire AWG	Male Receptacles	Female Receptacles
	2	1-White 2-Black	600V 13A	16	MIN-2MR-1-PM	MIN-2FR-1-PM
			300V 10A	18	MIN-2MR-1-18-PM	MIN-2FR-1-18-PM
			300V 4A	22	MIN-2MR-5-22-PM	MIN-2FR-1-22-PM
	3	1-Green/Yellow 2-Black 3-White	600V 13A	16	MIN-3MR-1-PM	MIN-3FR-1-PM
			300V 10A	18	MIN-3MR-1-18-PM	MIN-3FR-1-18-PM
			300V 4A	22	MIN-3MR-5-22-PM	MIN-3FR-1-22-PM
	4	1-Black 2-White 3-Red 4-Green/Yellow	600V 10A	16	MIN-4MR-1-PM	MIN-4FR-1-PM
			300V 5.5A	18	MIN-4MR-1-18-PM	MIN-4FR-1-18-PM
			300V 4A	22	MIN-4MR-5-22-PM	MIN-4FR-1-22-PM
	5	1-White 2-Red 3-Green/Yellow 4-Orange 5-Black	600V 8A	16	MIN-5MR-1-PM	MIN-5FR-1-PM
			300V 5.5A	18	MIN-5MR-1-18-PM	MIN-5FR-1-18-PM
			300V 4A	22	MIN-5MR-5-22-PM	MIN-5FR-1-22-PM
	6	1-White 2-Red 3-Green/Yellow 4-Orange 5-Black 6-Blue	300V 8A	16	MIN-6MR-1-PM	MIN-6FR-1-PM
			300V 5.5A	18	MIN-6MR-1-18-PM	MIN-6FR-1-18-PM
			300V 4A	22	MIN-6MR-5-22-PM	MIN-6FR-1-22-PM

12" leads are standard (6" standard on male 22 AWG). Longer lead lengths are available, please consult the factory for part numbers. Other color codes available, please consult the factory.

## Specifications:

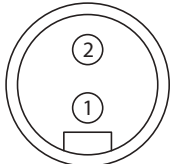
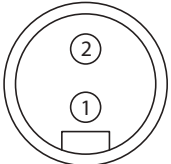
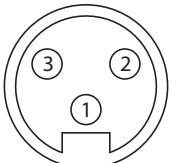
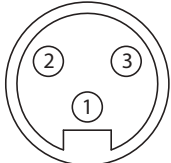
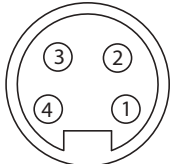
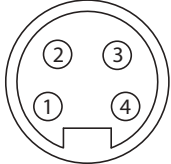
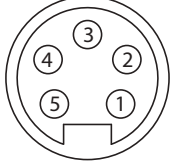
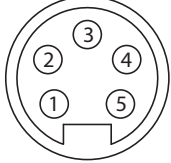
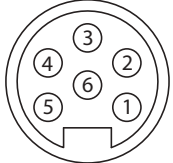
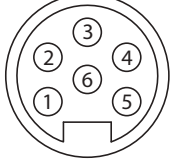
Shell: Blue Anodized Aluminum  
 Insulator: 105°C, Oil Resistant Yellow PVC  
 Wire: 16 AWG: UL Style 1015, 600V  
 18 & 22 AWG: UL Style 1007/1569, 300V  
 Contacts: Copper Alloy with Gold Plating  
 Gasket: BUNA-N  
 Temperature: -40°C to 105°C (-40°F to +221°F)  
 Protection: IP 67  
 Approvals: U.S.: UL Recognized  
 Canada: C-UL Recognized



# MIN Series Size I Receptacles

Male - Female Through Panel Receptacles

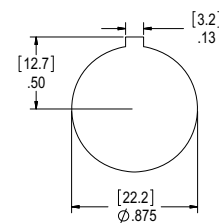
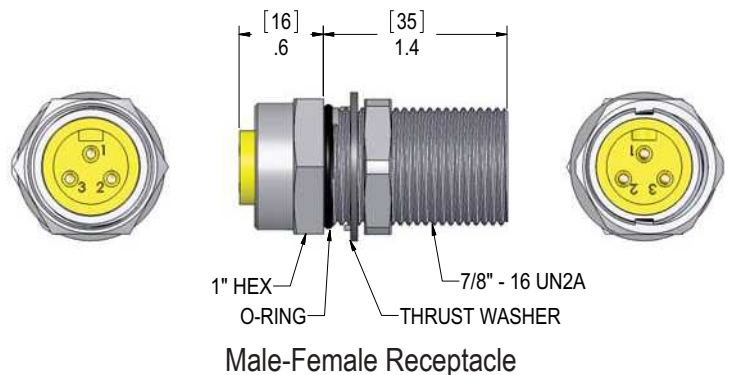


Face View of Male	# of Poles	Rating	Male-Female Receptacles	Wiring	Face View of Female
	2	600V 13A	MIN-2MFR-TM	1 to 1 2 to 2	
	3	600V 13A	MIN-3MFR-TM	1 to 1 2 to 2 3 to 3	
	4	600V 10A	MIN-4MFR-TM	1 to 1 2 to 2 3 to 3 4 to 4	
	5	600V 8A	MIN-5MFR-TM	1 to 1 2 to 2 3 to 3 4 to 4 5 to 5	
	6	600V 8A	MIN-6MFR-TM	1 to 1 2 to 2 3 to 3 4 to 4 5 to 5 6 to 6	

MIN Series Size I Receptacles

**Specifications:**

- Shell: Clear Anodized Aluminum
- Insulator: 105°C, Oil Resistant Yellow PVC
- Contacts: Copper Alloy with Gold Plating
- Jam Nut: Clear Anodized Aluminum
- Thrust Washer: Zinc Die-Cast
- Sealing Washer: BUNA-N
- Temperature: -40°C to 105°C (-40°F to +221°F)
- Protection: IP 67



Cut-out



# MIN Series Size I Receptacles

PCB Mount ❖ Back Mount ❖ Male ❖ Female ❖ Female (Female Threads)

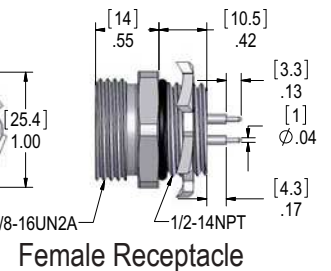
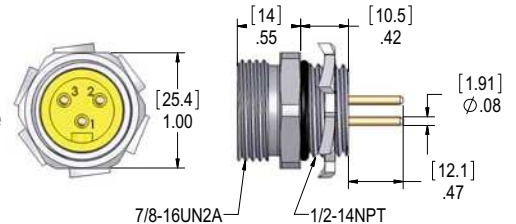
MIN Series Size I Receptacles

Face View of Male	# of Poles	Rating	Male Receptacles	Female Receptacles	Pin Out
	2	600V 13A	MIN-2MR-PCB MIN-2MR-BM-PCB	MIN-2FR-PCB MIN-2FR-BM-PCB MIN-2FRF-PCB	
	3	600V 13A	MIN-3MR-PCB MIN-3MR-BM-PCB	MIN-3FR-PCB MIN-3FR-BM-PCB MIN-3FRF-PCB	
	4	600V 10A	MIN-4MR-PCB MIN-4MR-BM-PCB	MIN-4FR-PCB MIN-4FR-BM-PCB MIN-4FRF-PCB	
	5	600V 8A	MIN-5MR-PCB MIN-5MR-BM-PCB	MIN-5FR-PCB MIN-5FR-BM-PCB MIN-5FRF-PCB	
	6	600V 8A	MIN-6MR-PCB MIN-6MR-BM-PCB	MIN-6FR-PCB MIN-6FR-BM-PCB MIN-6FRF-PCB	

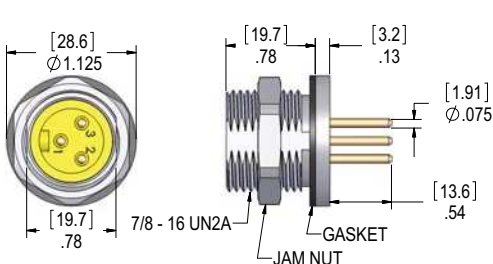
## Specifications:

Shell: Clear Anodized Aluminum  
 Insulator: 105°C, Oil Resistant Yellow PVC  
 Contacts: Copper Alloy with Gold Plating  
 Jam Nut: Clear Anodized Aluminum  
 Gasket: Neoprene  
 Temperature: -40°C to 105°C (-40°F to +221°F)  
 Protection: IP 67

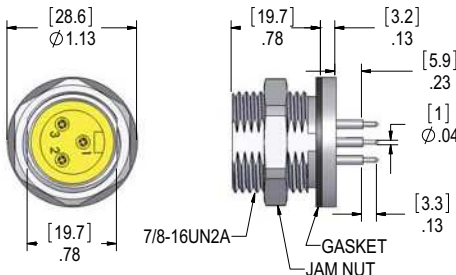
Male Receptacle



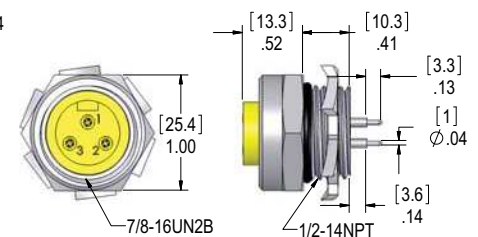
Female Receptacle



Male Receptacle Back Mount



Female Receptacle Back Mount



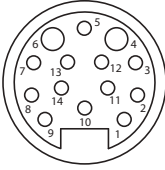
Female Receptacle (Female Threads)

For panel cutout for back mount receptacles see page B-9.

B-12

# MIN Series Size I Receptacles

1/2"-14 NPT Threads ❖ Metric Threads ❖ 18, 22 AWG

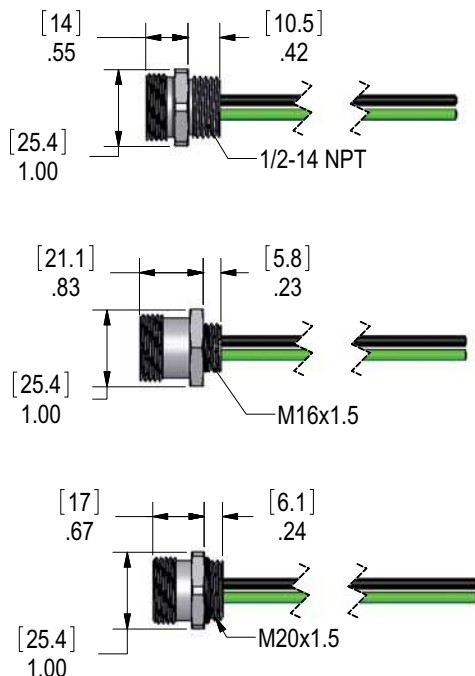
Face View of Male	# of Poles	Color Code	Wire AWG Rating	Thread Type	Length	Male Receptacles	Female Receptacles
	14	1-Gray w/ Pink	18/2	1/2" NPT	12"	MIN-14MR-1	MIN-14FR-1
		2-White w/ Green			1M	MIN-14MR-1M	MIN-14FR-1M
		3-White w/ Yellow			2M	MIN-14MR-2M	MIN-14FR-2M
		4-Brown*					
		5-Brown w/ Yellow	300V	M16 x 1.5	12"	MIN-14MR-1-M16	MIN-14FR-1-M16
		6-Blue*	8A		1M	MIN-14MR-1M-M16	MIN-14FR-1M-M16
		7-Yellow	---		2M	MIN-14MR-2M-M16	MIN-14FR-2M-M16
		8-Green					
		9-Pink	22/12	M20 X 1.5	12"	MIN-14MR-1-M20	
		10-White			1M	MIN-14MR-1M-M20	
		11-Red w/ Blue	300V		2M	MIN-14MR-2M-M20	
		12-Brown w/ Green	2A				
		13-Gray					
		14-Red					

\*Note: Pins 4 and 6 have 18 AWG wires. Other lengths are available, please consult the factory.

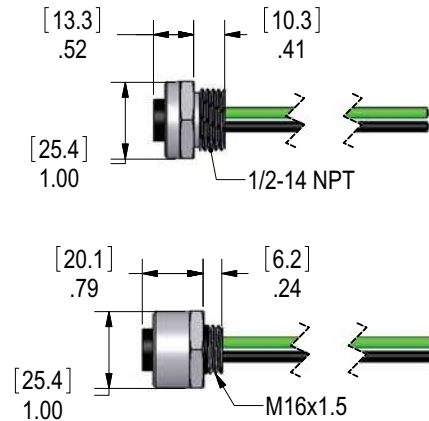
## Specifications:

Shell: Clear Anodized Aluminum  
 Insert: Black Polyamide  
 Wire: 18 & 22 AWG: UL Style 1007/1569, 300V  
 Contacts: Copper Alloy with Gold Plating  
 Seal: NBR  
 O-Ring: Metric Receptacles Only: BUNA-N  
 Temperature: -40°C to 80°C (-40°F to +176°F)  
 Protection: IP 67

Male Receptacle



Female Receptacle



MIN Series Size I Receptacles



# MIN Series Size I Accessories

## Jam Nuts: NPT, PG & Metric Threads

Jam Nuts: NPT, PG & Metric Threads					
Part #	Thread	Figure	A	Thickness	Material
212M	1/2" NPT	2	28.5 mm	3.3 mm	Steel Zinc Plate
211M	PG 11	1	21 mm	3.0 mm	Brass Nickel Plate
213M	PG 13.5	1	21 mm	3.0 mm	Brass Nickel Plate
2M16M	M16 x 1.5	1	19 mm	2.8 mm	Brass Nickel Plate
2M20M	M20 x 1.5	1	24 mm	3.0 mm	Brass Nickel Plate

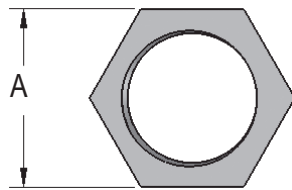


Figure 1

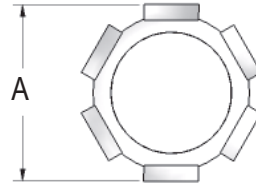


Figure 2

MIN Series Size I Receptacles