

TORQUE SUPPORT TETHER, CLAMPING RING SET, T12 FLANGE

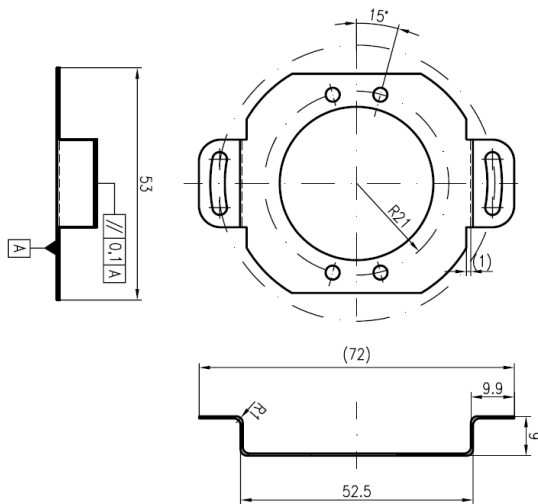
1.1 Set Comprises of

- 1 x Tether without Straps
- 1 x Clamping Ring for Shaft
- 4 x M3x6 Mounting Screws
- 4 x Standoff Rollers

Tether with Straps

Used to anchor the encoder to the system and prevent it from rotating along with the shaft.

Material: Stainless Steel 1.4310

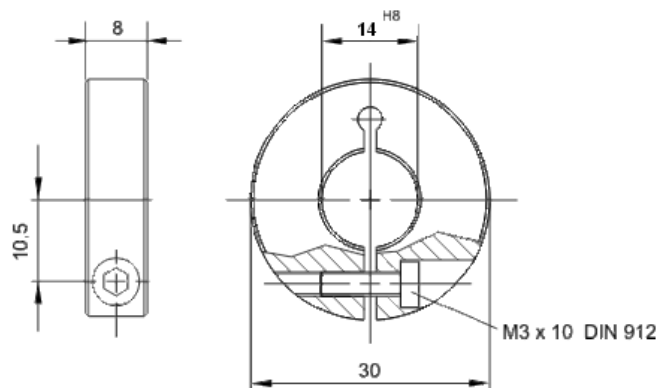


All dimensions in mm

Clamping Ring for Shaft

It is designed to securely clamp the encoder's hub shaft to the system's moving shaft.

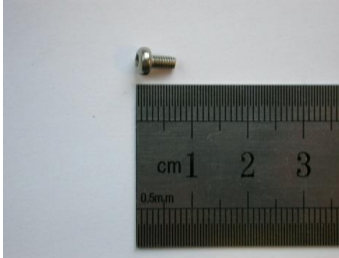
Material: Aluminium (Anodized)



All dimensions in mm

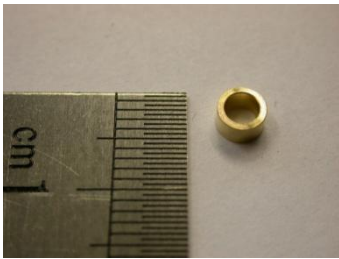
TORQUE SUPPORT TETHER, CLAMPING RING SET, T12 FLANGE

M3 x 6 Mounting Screws



- Screw Type: Cylinder Torx
- Length: 6 mm
- Thread: M3
- Material: Stainless Steel V2A
- Coating: Polyclock

Standoff Rollers



- Length: 2mm
- Inner Dia: 3mm
- Outer Dia: 5mm
- Material: Aluminium

1.2 Suitable for Following Sensor Systems

OCD-XXXXX-XXXX-T12X-XXX

1.3 Ordering Info

Part Number	Description
29100718	Torque Support: Tether + Clamping Ring Set_T12 Flange_Aluminium

Disclaimer

© FRABA N.V. all rights reserved. We do not assume responsibility for technical inaccuracies or omissions. Specifications are subject to change without notice.