

TORQUE SUPPORT TETHER, CLAMPING RING SET, MCD-B120

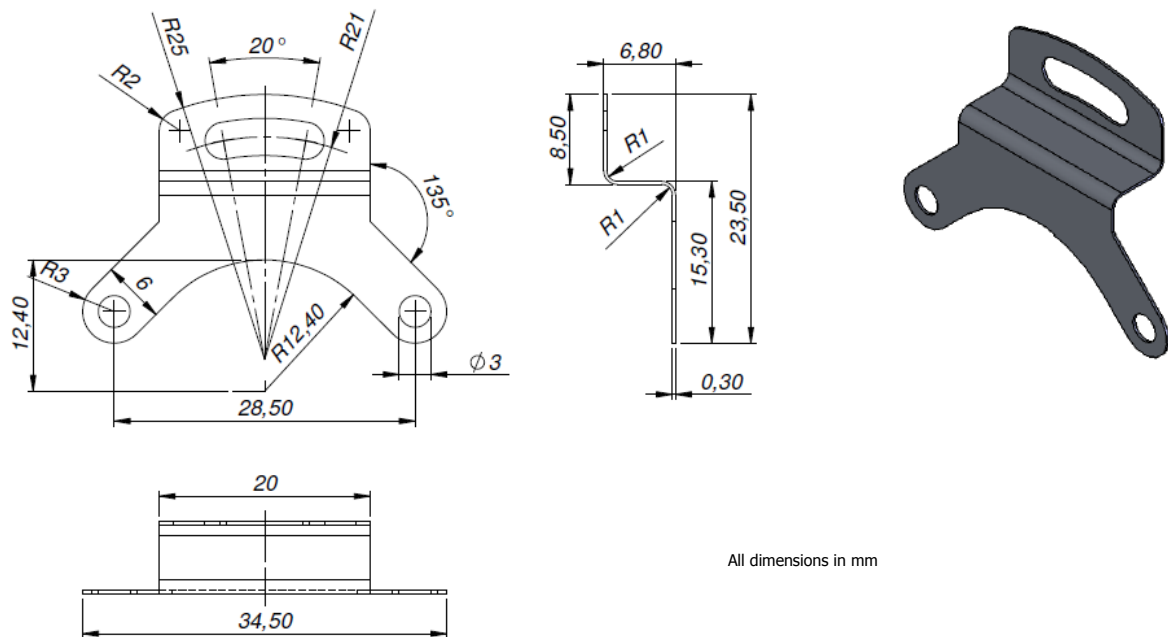
1.1 Set Comprises of

- 1 x Tether
- 1 x Clamping Ring for Shaft
- 2 x M3 Mounting Screws
- 2 x Washers (DIN125)

Tether

Used to anchor the encoder to the system and prevent it from rotating along with the shaft.

Material: Stainless Steel 1.4310



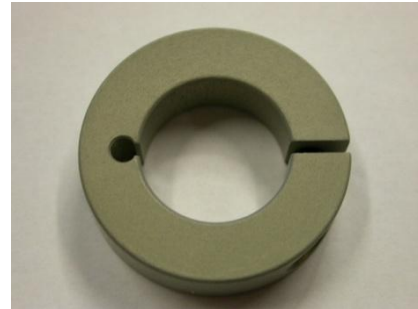
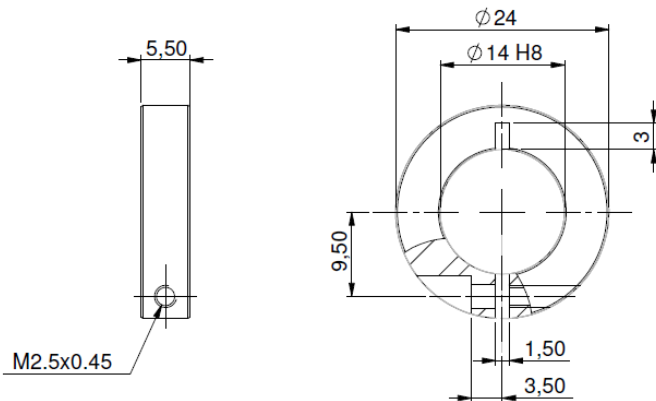
All dimensions in mm

TORQUE SUPPORT TETHER, CLAMPING RING SET, MCD-B120

Clamping Ring for Shaft

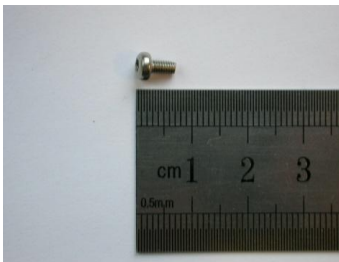
It is designed to securely clamp the encoder's hub shaft to the system's moving shaft.

Material: Aluminium / Stainless Steel



All dimensions in mm

M3 Mounting Screws



- Screw Type: Cylinder Torx
- Length: 6 mm
- Thread: M3
- Material: Stainless Steel V2A
- Coating: Polyclock

Washers (DIN125)



- Inner Diameter: 3.2 mm
- Outer Diameter: 7 mm
- Material: Brass, Nickel Plated

TORQUE SUPPORT
TETHER, CLAMPING RING SET, MCD-B120

1.2 Suitable for Following Sensor Systems

MCD-XXXXXX-XXXX-B12X-XXX

1.3 Ordering Info

Part Number	Description
10013949	Torque Support Set + Clamp Ring for B12 MCD

Disclaimer

© FRABA N.V. all rights reserved. We do not assume responsibility for technical inaccuracies or omissions. Specifications are subject to change without notice.