

TORQUE SUPPORT TETHER, CLAMPING RING SET, MCD-B060

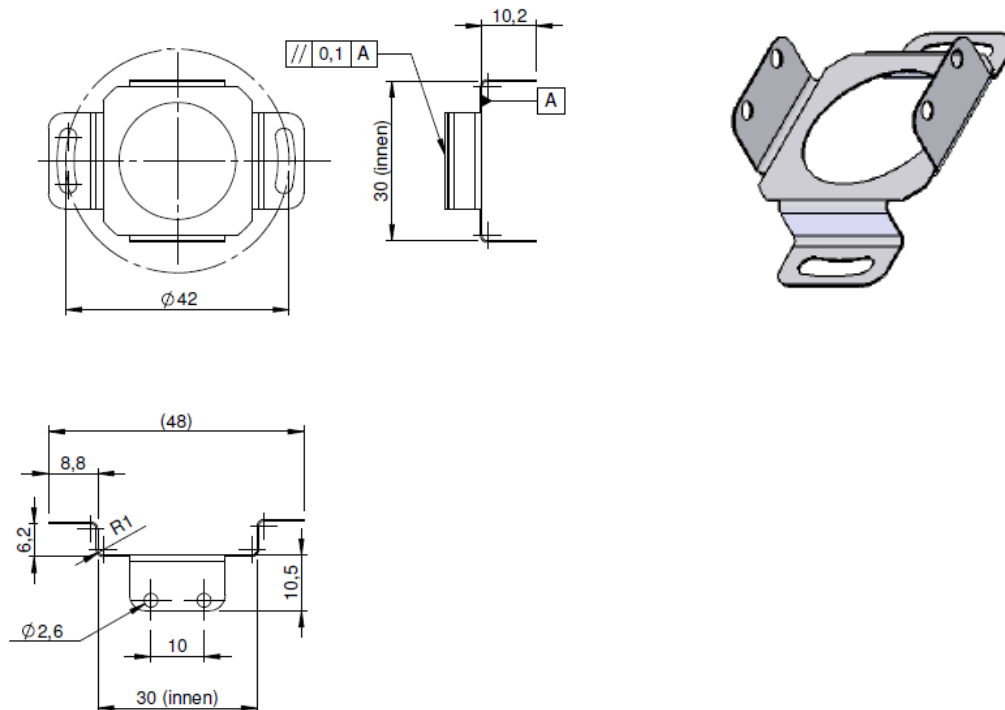
1.1 Set Comprises of

- 1 x Tether with Straps
- 1 x Clamping Ring for Shaft
- 4 x M2.5 Mounting Screws

Tether with Straps

Used to anchor the encoder to the system and prevent it from rotating along with the shaft.

Material: Stainless Steel 1.4310 (0.3 mm)



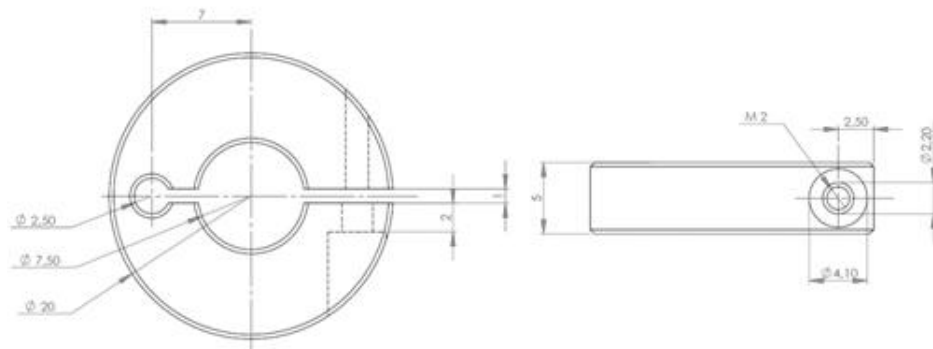
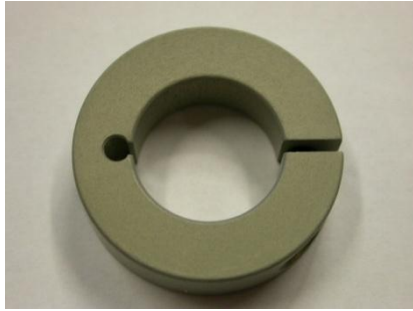
All dimensions in mm

TORQUE SUPPORT TETHER, CLAMPING RING SET, MCD-B060

Clamping Ring for Shaft

It is designed to securely clamp the encoder's hub shaft to the system's moving shaft.

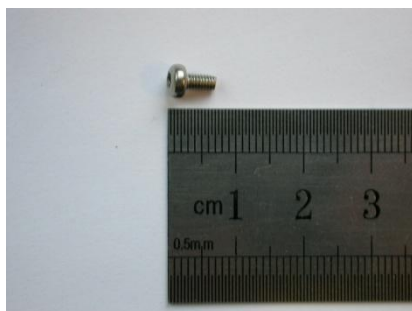
Material: Aluminium / Stainless Steel



All dimensions in mm

M2.5 Mounting Screws

- Screw Type: Raised Torx
- Length: 5 mm
- Thread: M2.5
- Material: Stainless Steel V2A



TORQUE SUPPORT
TETHER, CLAMPING RING SET, MCD-B060

1.2 Suitable for Following Sensor Systems

MCD-XXXXXX-XXXX-B06X-XXX

1.3 Ordering Info

Part Number	Description
10009759	Torque Support: Tether + Clamping Ring Set_MCD-B060
10011785	Torque Support: Tether + Clamping Ring Set_MCD-B06VA (Stainless Steel)

Disclaimer

© FRABA N.V. all rights reserved. We do not assume responsibility for technical inaccuracies or omissions. Specifications are subject to change without notice.