

TORQUE SUPPORT TETHER, CLAMPING RING SET, B15 FLANGE

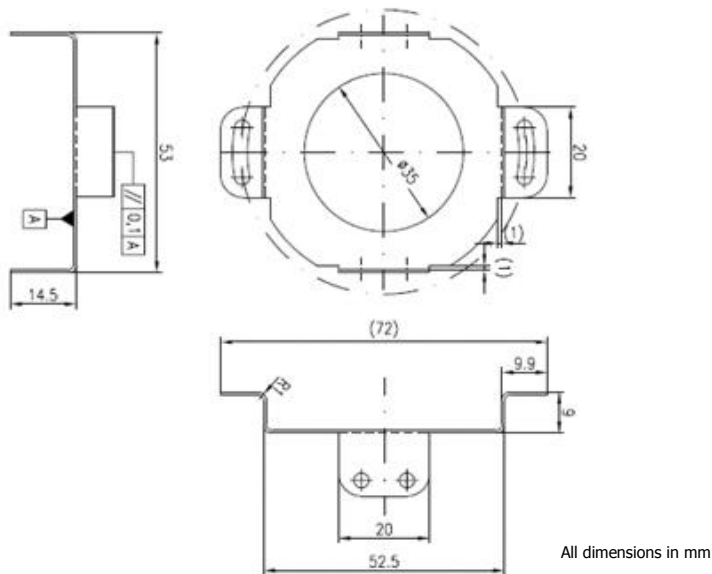
1.1 Set Comprises of

- 1 x Tether with Straps
- 1 x Clamping Ring for Shaft
- 4 x M3x6 Mounting Screws

Tether with Straps

Used to anchor the encoder to the system and prevent it from rotating along with the shaft.

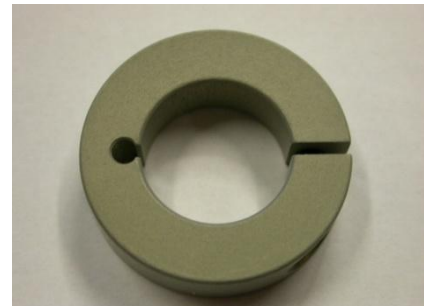
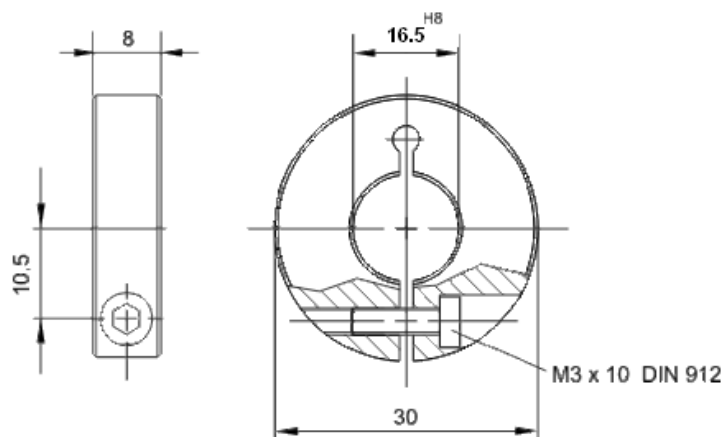
Material: Stainless Steel 1.4310



Clamping Ring for Shaft

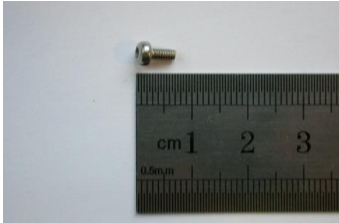
It is designed to securely clamp the encoder's hub shaft to the system's moving shaft.

Material: Aluminium / Stainless Steel



TORQUE SUPPORT TETHER, CLAMPING RING SET, B15 FLANGE

M3 Mounting Screws



- Screw Type: Cylinder Torx
- Length: 6mm
- Thread: M3
- Material: Stainless Steel V2A
- Coating: Polyclock

1.2 Suitable for Following Sensor Systems

OCD-XXXXX-XXXX-B15X-XXX

1.3 Ordering Info

Part Number	Description
29100712	Torque Support: Tether + Clamping Ring Set_B15 Flange_Aluminium
29100715	Torque Support: Tether + Clamping Ring Set_B15 Flange_Steel

Disclaimer

© FRABA N.V. all rights reserved. We do not assume responsibility for technical inaccuracies or omissions. Specifications are subject to change without notice.