

REDUCING ADAPTERS

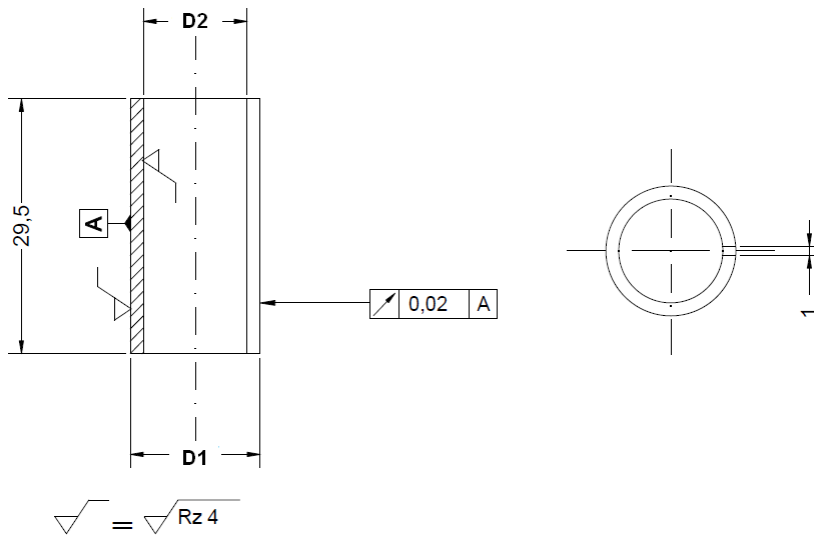


1.1 Application

Reducing Adapters are used as a medium for decreasing the diameter of the encoder's hollow shaft (Hub/Through Hollow) and enabling a firm coupling to the user's solid shaft.

1.2 Suitable for Following Sensor Systems

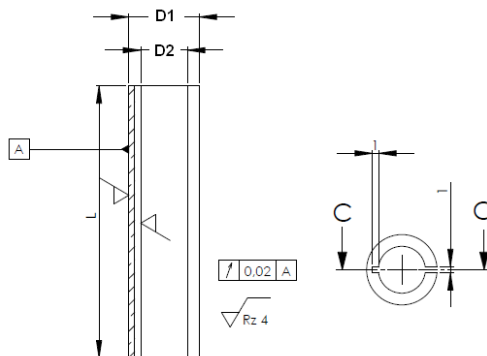
OCD-XXXXX-XXXX-B15X-XXX



REDUCING ADAPTERS

Shaft Type	Encoder Shaft Dia (D1 in mm)	Adapted Shaft Dia (D2 in mm)	Material	Order Code: Article Number
Hub, B15	15	12	Stainless Steel	32220299
Hub, B15	15	12	Brass	32220291
Hub, B15	15	10	Brass	32220292
Hub, B15	15	10	Stainless Steel	32220298
Hub, B15	15	11	Brass	32220293
Hub, B15	15	14	Brass	32220294
Hub, B15	15	8	Brass	32220295
Hub, B15	15	6	Brass	32220300

OCD-XXXXX-XXXX-T12X-XXX



Cross Section C-C

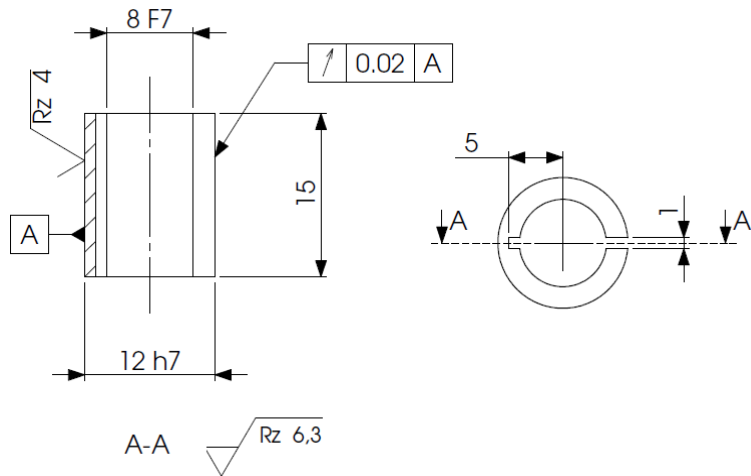
L:
Singleturn : 46.5mm
Multiturn : 59mm

All dimensions in mm

Shaft Type	Encoder Shaft Dia (D1 in mm)	Adapted Shaft Dia (D2 in mm)	Material	Order Code: Article Number
Through, T12 (Singleturn)	12	8	Brass	10002796
Through, T12 (Multiturn)	12	8	Brass	10002797
Through, T12 (Singleturn)	12	10	Brass	10002800
Through, T12 (Multiturn)	21	10	Brass	10002801

REDUCING ADAPTERS

MCD-XXXXXX-XXXX-B12X-XXX



All dimensions in mm

Shaft Type	Encoder Shaft Dia (D1 in mm)	Adapted Shaft Dia (D2 in mm)	Material	Order Code: Article Number
Hub, B12	12	8	Brass	10006252

Disclaimer

© FRABA N.V. all rights reserved. We do not assume responsibility for technical inaccuracies or omissions. Specifications are subject to change without notice.