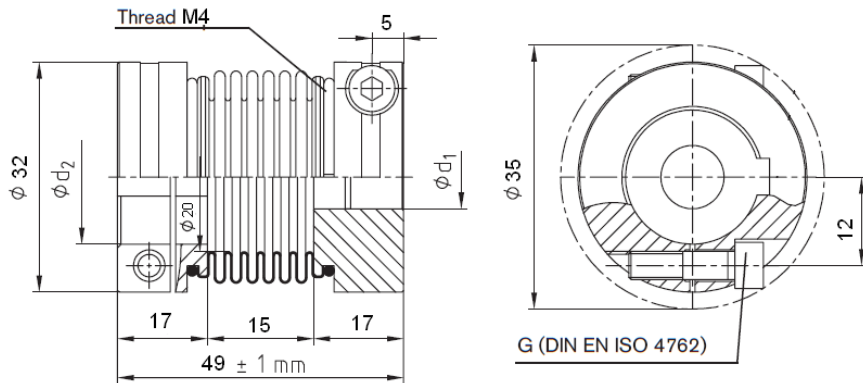


DISK TYPE COUPLING

Bellow Couplings are ideally used in applications where the coupling may need to withstand high torsion stiffness and/or a low mass moment of inertia. These couplings also behave well with axial, radial and angular displacements because of their flexible design.

1.1 Configuration – Metric



All dimensions in mm

Technical Data

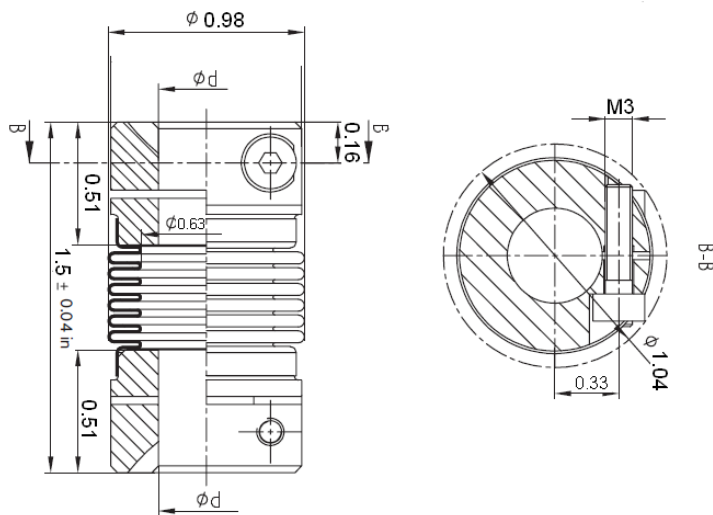
Flange Material	Anodized Aluminium	
Bellow Material	Polyamide 6.6, Fiberglass Reinforced	
Nominal Torque	30gm (Approx)	
Speed	-10°C to +80°C / 14°F to +176°F	
Moment of Inertia	80 Ncm	
Torsion Stiffness	35 g/cm ²	
Axial Spring Stiffness	40 N/mm	
Radial Spring Stiffness	30 Nm/rad	
Shafts Offset (max)	Radial	± 0.5mm
	Axial	± 0.2mm
	Angular	± 1.5°
Weight	60gm	
Clamping Torque (Max)	3N / 26 lb-in	

DISK TYPE COUPLING

Configuration and Ordering

Description	Part Number	Ø d1 in mm	Ø d2 in mm
Bellow Coupling, BC-06-06	10017236	06	06
Bellow Coupling, BC-10-10	10017237	10	10
Bellow Coupling, BC-06-10	10017238	06	10
Bellow Coupling, BC-06-08	10017239	06	08
Bellow Coupling, BC-08-10	10017240	08	10
Bellow Coupling, BC-10-12	10017241	10	12
Bellow Coupling, BC-06-06	10017236	06	06
Bellow Coupling, BC-10-10	10017237	10	10

1.2 Configuration – Imperial



Technical Data

Flange Material		Anodized Aluminium
Bellow Material		Polyamide 6.6, Fiberglass Reinforced
Nominal Torque		30 gm (Approx)
Speed		-10°C to +80°C / 14°F to +176°F
Shafts Offset (max)	Radial	± 0.024 in
	Axial	± 0.008 in
	Angular	± 1.5°
Weight		0.060 lb

DISK TYPE COUPLING

1.3 Configuration and Ordering

Description	Part Number	Ø d1 in mm	Ø d2 in inch
Bellow Coupling, BC-10-1/4"	10017242	10	1/4
Bellow Coupling, BC-10-3/8"	10017243	10	3/8
Bellow Coupling, BC-06-1/4"	10017245	06	1/4
Bellow Coupling, BC-06- 3/8"	10017244	06	3/8

Disclaimer

© FRABA N.V. all rights reserved. We do not assume responsibility for technical inaccuracies or omissions. Specifications are subject to change without notice.