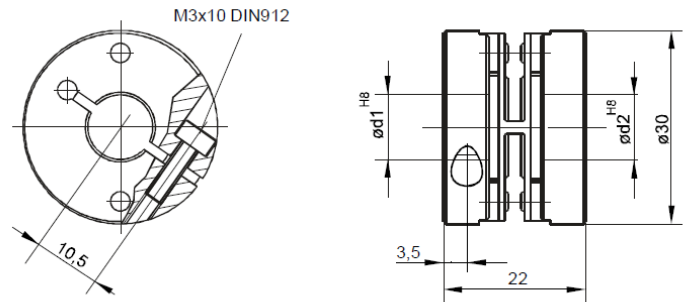


DISK TYPE COUPLING



All dimensions in mm

Disc Couplings are generally used for high speed and high performance applications. These couplings are designed to be flexible so as to handle high torque loads and also support shaft misalignment.

1.1 Technical Data

Flange Material	Anodized Aluminium	
Membrane Material (Discs)	Polyamide 6.6, Fiberglass Reinforced	
Weight	30gm (Approx)	
Temperature Range	-10°C to +80°C/ 14°F to +176°F	
Clamping Torque (Max)	80 Ncm	
Moment of Inertia	35 g/cm ²	
Spring Stiffness (Radial)	40 N/mm	
Spring Stiffness (Torsion)	30 Nm/rad	
Shafts Offset (max)	Radial	± 0.3mm
	Axial	± 0.4mm
	Angular	± 2.5°
Maximum Torque	60 Ncm	
Maximum Speed	12000 RPM	

DISK TYPE COUPLING

1.2 Configuration and Ordering

Description	Part Number	Ø d1 in mm	Ø d2 in mm
Disc Coupling, DC-06-06	29100360	6	6
Disc Coupling, DC-06-10	29100370	6	10
Disc Coupling, DC-10-10	29100380	10	10
Disc Coupling, DC-10-12	10017235	10	12

Disclaimer

© FRABA N.V. all rights reserved. We do not assume responsibility for technical inaccuracies or omissions. Specifications are subject to change without notice.