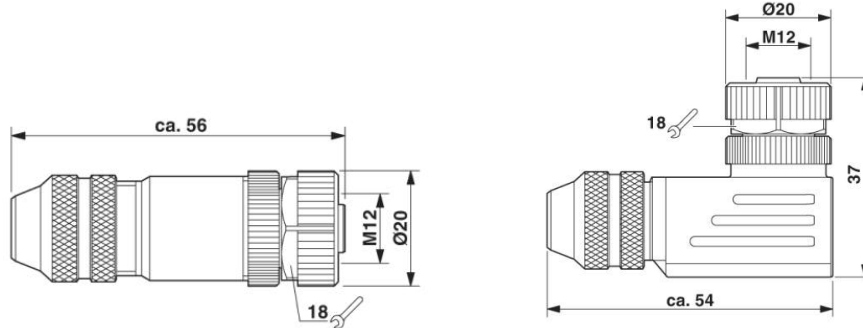


POSITAL

FRABA

CONNECTOR

M12, FEMALE 5 PIN A-CODED



All dimensions in mm

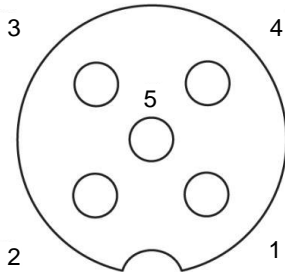
1.1 Technical Data

	Straight	Right Angled
Connector Standard	M12 Connector (A-Coded)	
Number of Contacts	5	
Rated Current at 40°C	4 A	
Rated Voltage	60 V	125 V
Volume Resistance	≤ 3 mΩ	≤ 8 mΩ
Insulation Resistance	≥ 100 MΩ	
Ambient Temperature (Operation)	-40°C to 85°C / -40°F to 185°F	-20°C to 80°C / -4°F to 176°F
Connector Housing	Die-Cast Zinc & Nickel Plated (NBR Sealed)	
Degree of Protection	IP67 (~NEMA 6)	
Contact Material	CuZn	
Contact Surface	Au	CuSnZn
Wire Gauge	(0.25 – 0.75) mm ² / AWG 24-18	
External Cable Diameter	(4 – 6) mm / (0.16 – 0.24) in	(6 – 8) mm / (0.24 – 0.30) in

CONNECTOR

M12, FEMALE 5 PIN A-CODED

1.2 Pin Configuration



Connector Pinout (Front View)

1.3 Suitable for Following Sensor Systems

ACS-XXX-X-CAXX-XX2-PM

ACS-XXX-X-DXXX-XX2-PM

MCD-AXXXX-XXXX-XXXX-PXM

MCD-CAXXX-XXXX-XXXX-PXM

OCD-DXXXX-XXXX-XXXX-PXM

OCD-EEXXX-XXXX-XXXX-PRM

OCD-CAXXX-XXXX-XXXX-PXM

1.4 Ordering Info

Part Number	Description ¹
34050515	CTR - M12, Female 5pin A-Coded
10017220	CTR - Right Angled M12, Female 5pin A-Coded

1) CTR – Connector Only / CCBL – Connector + Cable

Disclaimer

© FRABA N.V. all rights reserved. We do not assume responsibility for technical inaccuracies or omissions. Specifications are subject to change without notice.