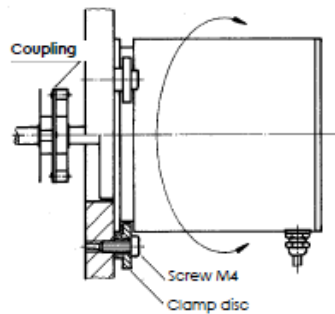


CLAMP DISC



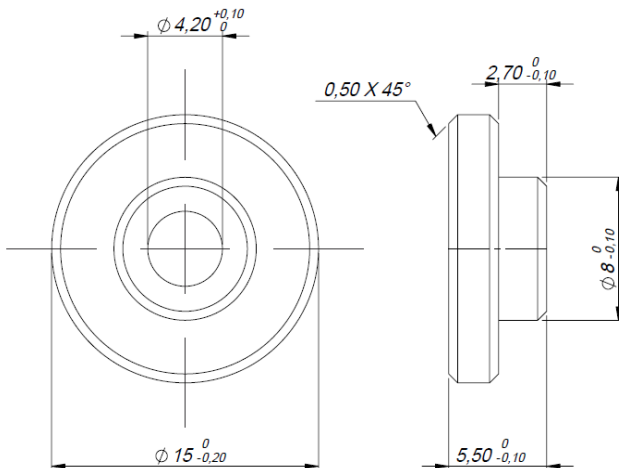
An easy mounting possibility is made possible by using clamp discs. These are used for the mounting of encoders with the clamp flange (CXX). By using these clamp discs for mounting and adjustments, the zero-point setting can be carried out in a simple way.

After loosening the clamp discs the absolute rotary encoder is rotatable along its own axis. The coupling will be fixed during this adjustment. The zero point can be easily adjusted within one revolution. It is generally recommended to do a rough adjustment, especially for multi-turn encoders before starting the mounting procedure.

There are two variants of the clamp discs provided by POSITAL:

Clamp Disc SP15

This clamp disc has a centered hole to help screw to the flange of the encoder.

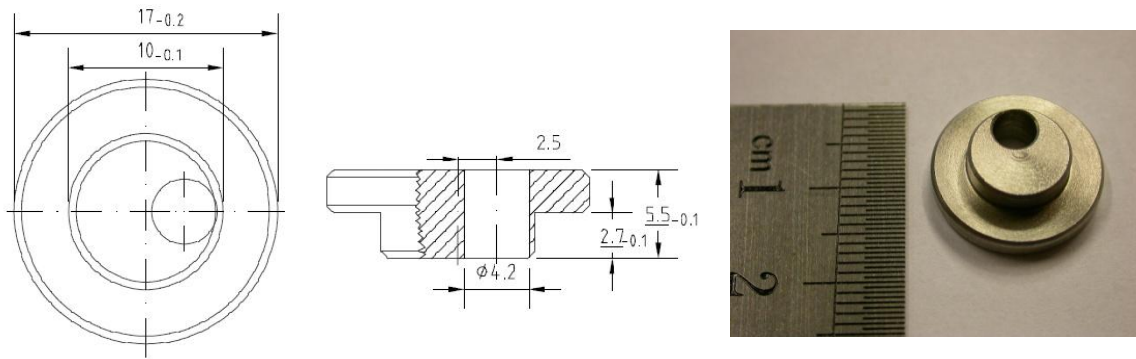


All dimensions in mm

CLAMP DISC

Clamp Disc Special

This clamp disc has a mounting hole slightly to the side for screwing to the flange. This is used in mounting instances where there are space constraints and there is difficulty in reaching directly below the encoder.



All dimensions in mm

1.1 Suitable for Following Sensor Systems

OCD-XXXXX-XXXX-CXXX-XXX

MCD-XXXXX-XXXX-CXXX-XXX

1.2 Ordering Info

| Part Number | Description |
|-------------|--|
| 10017234 | Disks with Eccentric Screw Hole to Secure Clamp Flange (4 pcs) |
| 32400155 | Disks with Centered Screw Hole to Secure Clamp Flange (4 pcs) |

Disclaimer

© FRABA N.V. all rights reserved. We do not assume responsibility for technical inaccuracies or omissions. Specifications are subject to change without notice.