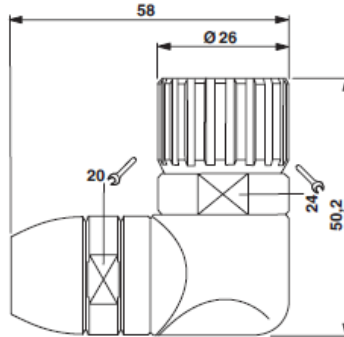


# POSITAL

## FRABA

### RIGHT ANGLED CONNECTOR M23, FEMALE 12 PIN

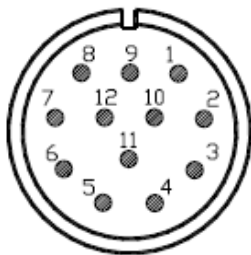


All dimensions in mm

#### 1.1 Technical Data

Connector Standard	M23 Connector
Number of Contacts	12
Connector Housing	Die-Cast Zinc Alloy
Rated Current at 40°C	8 A
Rated Voltage	300 V
Contact Resistance	≤ 3 mΩ
Insulation Resistance	> 10 <sup>12</sup> Ω
Ambient Temperature (Operation)	-40°C to 125°C / -40°F to 250°F
Degree of Protection	IP67/IP68 (~NEMA 6)
Contact Material	CuZn
Wire Gauge	2.5 mm <sup>2</sup> (AWG 14)

#### 1.2 Pin Configuration



Connector Pinout (Front View)

AMERICA  
FRABA Inc.  
1800 East State Street, Suite 148  
Hamilton, NJ 08609-2020, USA  
T +1-609-750-8705, F +1-609-750-8703  
[www.posital.com](http://www.posital.com), [info@posital.com](mailto:info@posital.com)

EUROPE  
POSITAL GmbH  
Carlswerkstrasse 13c  
D-51063 Köln, Germany  
T +49 221 96213-0, F +49 221 96213-20  
[www.posital.eu](http://www.posital.eu), [info@posital.eu](mailto:info@posital.eu)

ASIA  
FRABA Pte. Ltd.  
60 Alexandra Terrace  
Singapore 118502, Singapore  
T +65 65148880, F +65 62711792  
[www.posital.sg](http://www.posital.sg), [info@posital.sg](mailto:info@posital.sg)

## RIGHT ANGLED CONNECTOR M23, FEMALE 12 PIN

### 1.3 Suitable for Following Sensor Systems

OCD-SXXXX-XXXX-XXXX-PXL

OCD-DXXXX-XXXX-BXXX-PRL

### 1.4 Ordering Info

Part Number	Description <sup>1</sup>
34501203	CTR - Right-Angled M23, Female12Pin

1) CTR – Connector Only / CCBL – Connector + Cable

### Disclaimer

© FRABA N.V. all rights reserved. We do not assume responsibility for technical inaccuracies or omissions. Specifications are subject to change without notice.