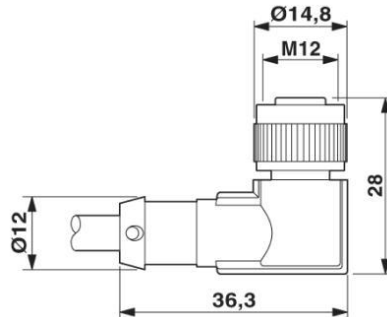


POSITAL

FRABA

CONNECTING CABLE

RIGHT ANGLED M12, FEMALE 8PIN A-CODED, SHIELDED PU CABLE



All dimensions in mm

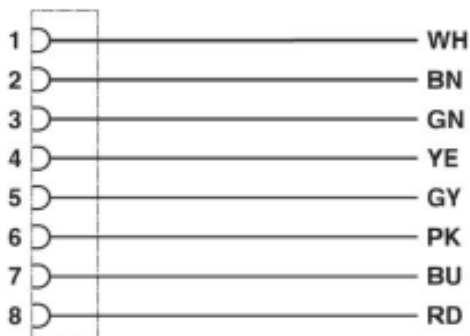
1.1 Technical Data

Connector Standard	M12 Connector (A-Coded)
Number of Contacts	8
Rated Current at 40°C	2 A
Rated Voltage	30 V
Volume Resistance	≤ 5 mΩ
Insulation Resistance	≥ 100 MΩ
Ambient Temperature (Operation)	-25°C to 90°C / -4°F to 194°F
Degree of Protection	IP65/IP67/IP69K (~NEMA 6)
Connector Housing	TPU sealed with NBR
Cable Type	PUR Shielded
Contact Material	CuZn
Contact Surface	Ni/Au
Shielding	Tinned Copper Braided Shield
Wire Gauge	0.25 mm ² (AWG 24)
Smallest Bending Radius	60 mm / 2.4 in
Special Properties	Flame Resistant / Halogen-Free / Resistance to Oil / UV Resistant / UL Listed

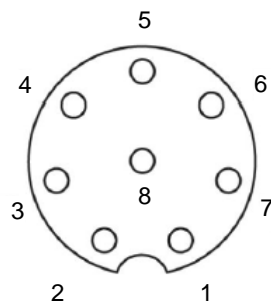
CONNECTING CABLE

RIGHT ANGLED M12, FEMALE 8PIN A-CODED, SHIELDED PU CABLE

1.2 Pin Configuration



Pin Configuration



Connector Pinout (Front View)

1.3 Suitable for Following Sensor Systems

ACS-XXX-X-SXXX-XX2-PM

AGS-XXX-2-CAX-HO-P8M

AGS-XXX-2-SXX-HO-P8M

MDW-S1XXX-XXXX-XXXX-X-P8M

MCD-SXXXX-XXXX--XXXX-P8M

OCD-SXXXX-XXXX-XXXX-PXQ

1.4 Ordering Info

Part Number	Description ¹
10007976	CCBL - Right-Angled M12, Female 8pin A-Coded + 2m Shielded PU Cable
10017225	CCBL - Right-Angled M12, Female 8pin A-Coded + 5m Shielded PU Cable
10017226	CCBL - Right-Angled M12, Female 8pin A-Coded + 10m Shielded PU Cable

1) CTR – Connector Only / CCBL – Connector + Cable

Disclaimer

© FRABA N.V. all rights reserved. We do not assume responsibility for technical inaccuracies or omissions. Specifications are subject to change without notice.