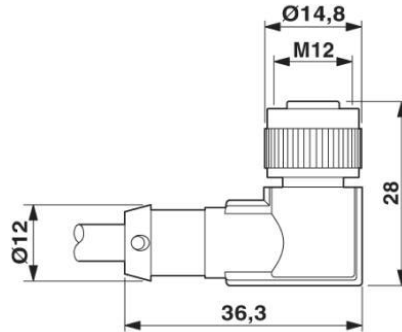


POSITAL

FRABA

CONNECTING CABLE

RIGHT ANGLED M12, FEMALE 5 PIN A-CODED, SHIELDED PU CABLE



All dimensions in mm

1.1 Technical Data

Connector Standard	M12 Connector (A-Coded)
Number of Contacts	5
Rated Current at 40°C	4 A
Rated Voltage	60 V
Volume Resistance	$\leq 5 \text{ m}\Omega$
Insulation Resistance	$\geq 100 \text{ M}\Omega$
Ambient Temperature (Operation)	-25°C to 90°C / -13°F to 194°F
Connector Housing	TPU sealed with NBR
Cable Type	PUR Shielded
Degree of Protection	IP65/IP67/IP69K (~NEMA 6)
Contact Material	CuSn
Contact Surface	Ni/Au
Shielding	Tinned Copper Braided Shield
Wire Gauge	0.34 mm ² (AWG 22)
Smallest Bending Radius	60 mm / 2.4 in
Special Properties	Flame Resistant / Halogen-Free / Resistance to Oil / UV Resistant

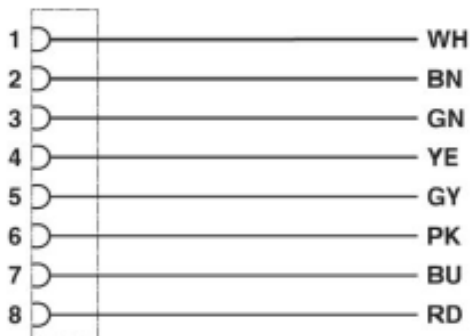
POSITAL

FRABA

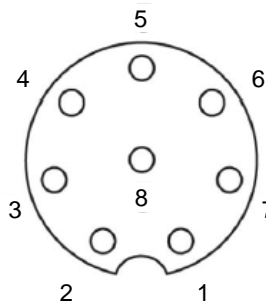
CONNECTING CABLE

RIGHT ANGLED M12, FEMALE 5 PIN A-CODED, SHIELDED PU CABLE

1.2 Pin Configuration



Pin Configuration



Connector Pinout (Front View)

1.3 Suitable for Following Sensor Systems

- ACS-XXX-X-CAXX-XX2-PM
- ACS-XXX-X-DXXX-XX2-PM
- MCD-AXXXX-XXXX-XXXX-PXM
- MCD-CAXXX-XXXX-XXXX-PXM
- OCD-DXXXX-XXXX-XXXX-PXM
- OCD-EEXXX-XXXX-XXXX-PRM
- OCD-CAXXX-XXXX-XXXX-PXM

1.4 Ordering Info

Part Number	Description ¹
10017219	CCBL – Right Angled M12, Female 5pin A-Coded + 2m Shielded PU Cable
10017033	CCBL – Right Angled M12, Female 5pin A-Coded + 5m Shielded PU Cable
10017034	CCBL – Right Angled M12, Female 5pin A-Coded + 10m Shielded PU Cable

1) CTR – Connector Only / CCBL – Connector + Cable

Disclaimer

© FRABA N.V. all rights reserved. We do not assume responsibility for technical inaccuracies or omissions. Specifications are subject to change without notice.