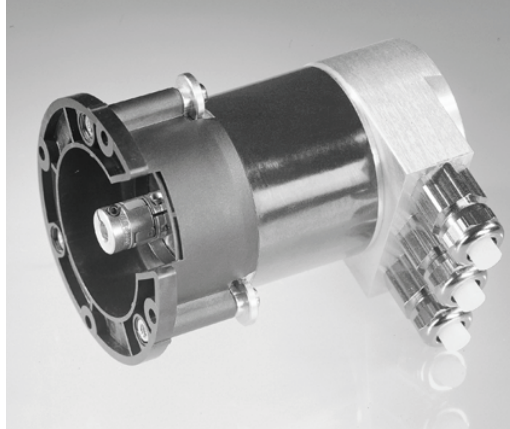


ACCESSORIES
ENCODER MOUNTING DEVICE



Description

The encoder mounting device MGY58 enables the user to mount all absolute and incremental encoders with a synchro flange in a simple and inexpensive way.

A clutch with high torsional rigidity and low reset forces is necessary between the shaft encoder and the rotating shaft to compensate the shaft offset

and to damp vibrations. The spring-ring clutch FSK3022 provides electrical and thermal insulation to an engine or a driver device.

The assembly of the encoder to the mounting device can be made by the provided mounting material.

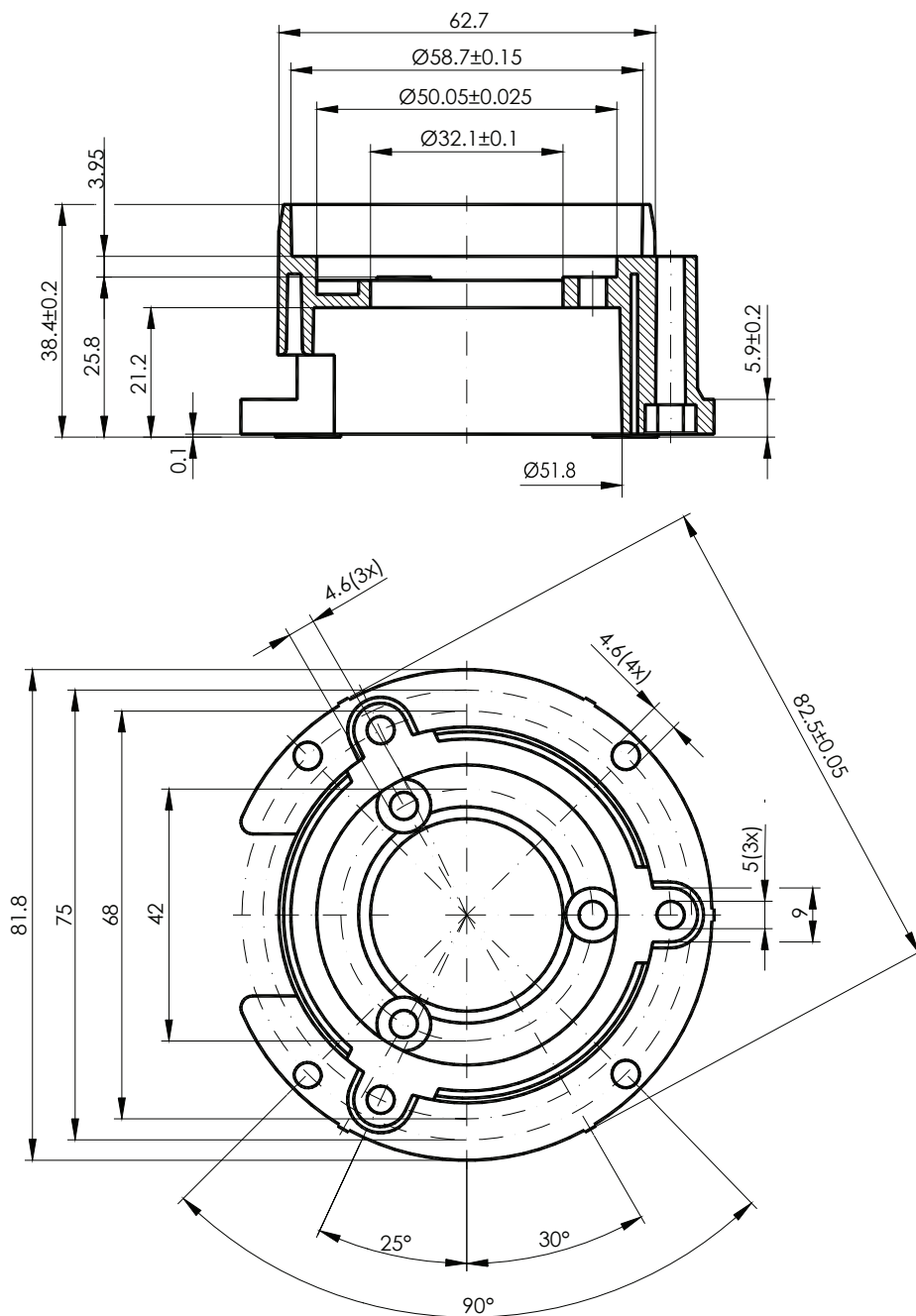
Mechanical Data

Material encoder mounting device

Fortron 1140L4 (40% glass-fiber reinforced)

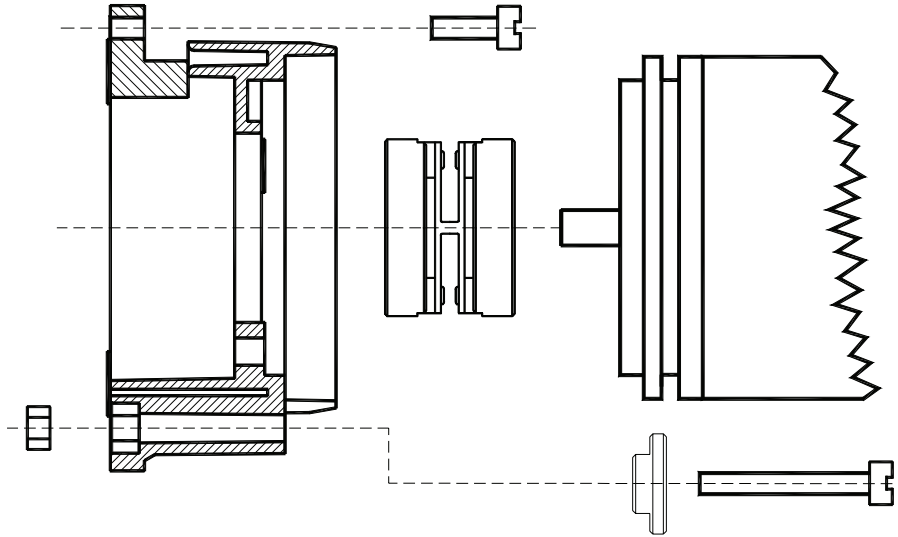
ACCESSORIES
ENCODER MOUNTING DEVICE

Mechanical Drawings



ACCESSORIES
ENCODER MOUNTING DEVICE

Mounting with clamp discs



Mounting through threads in Synchro-flange

