

## Actuators for safety switches NX/TX

- ▶ Actuators made of stainless steel
- ▶ Two stainless safety screws per actuator
- ▶ With rubber bush

### Straight actuator

The straight actuator is used on sliding doors or hinged doors with door radii greater than 300 mm. Safety screws prevent unscrewing of the actuator.

### Actuator with overtravel

- ▶ **2 mm** for doors with normal play
- ▶ **7 mm** for doors with large play (optional)

### Actuators with rubber bushings

For flexible mounting of the actuator.

### Hinged actuator

For door radii less than 300 mm a hinged actuator should be used. The spring action movement of the actuator prevents damage due to the actuator jamming in the actuating head. Depending on the movement of the safety guard, the actuator must be selected for left/right or top/bottom.

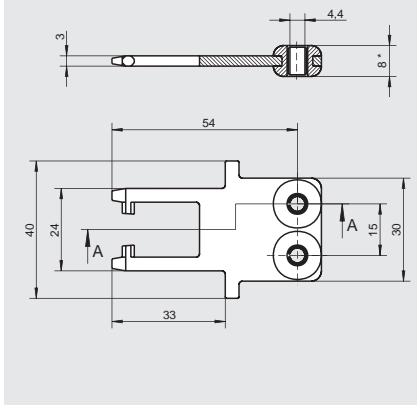
### Screws made of stainless steel

The safety screws included can be inserted with a normal tool, but cannot be removed again.

### Actuator X-GQ straight

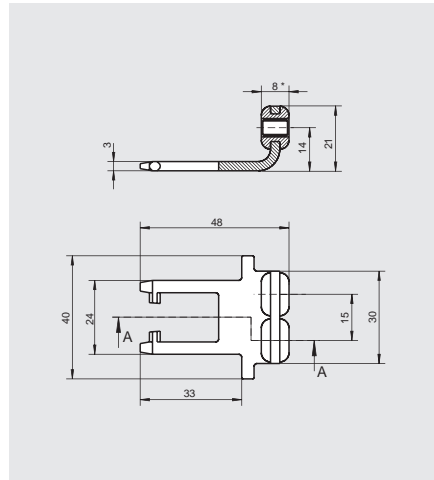
Rubber bush, overtravel 2 mm

#### Dimension drawings



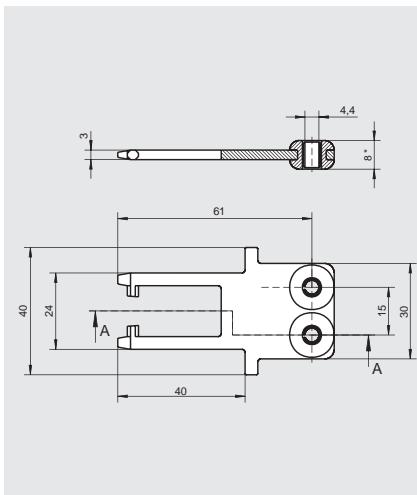
### Actuator X-WQ bent

Rubber bush, overtravel 2 mm



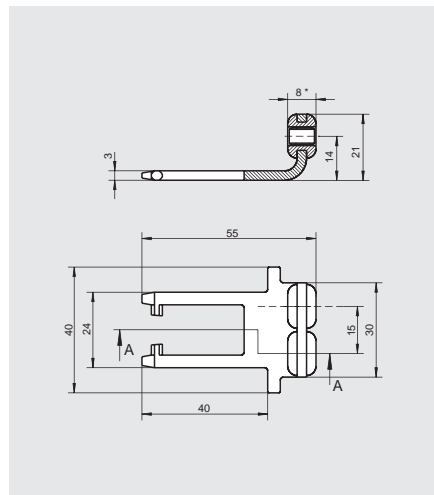
### Actuator X-GNQ straight

Rubber bush, overtravel 7 mm



### Actuator X-WNQ bent

Rubber bush, overtravel 7 mm



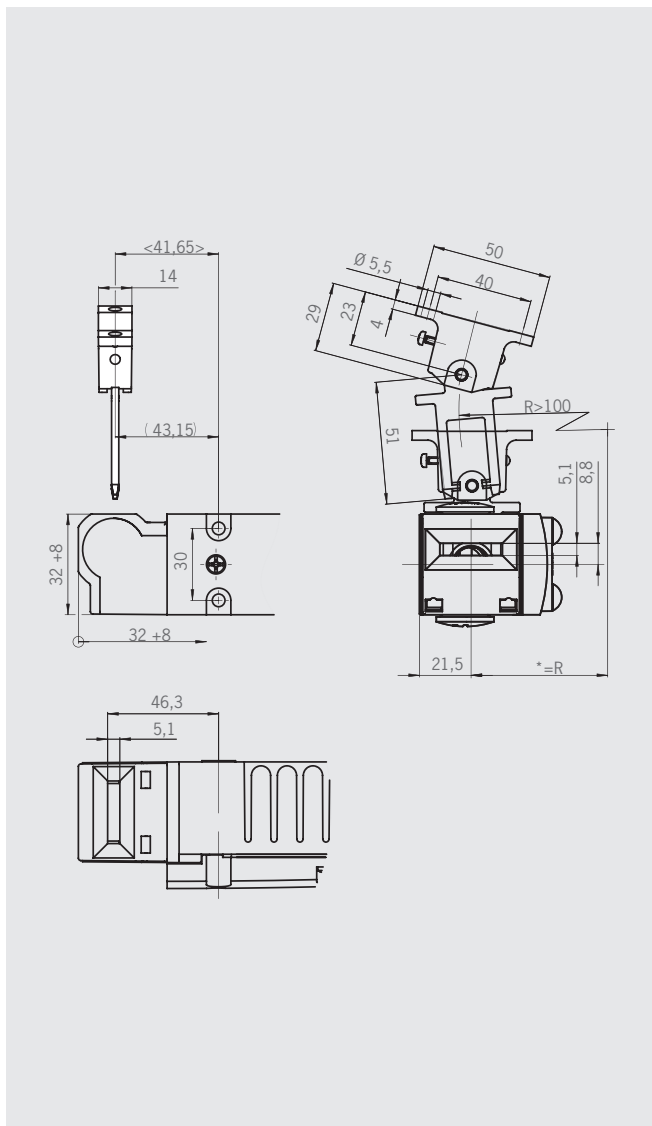
## Ordering table

Designation	Design	Min. door radius r [mm]	Packaging unit	Order no./item
Actuator Straight Rubber bush	<b>X-GQ</b> 2 mm overtravel incl. 2 safety screws M4 x 14	300	1 ea.	<b>079739</b> ACTUATOR-X-GQ
Actuator Angled Rubber bush	<b>X-WQ</b> 2 mm overtravel incl. 2 safety screws M4 x 14	300	1 ea.	<b>079740</b> ACTUATOR-X-WQ
Actuator Straight Rubber bush, overtravel	<b>X-GNQ</b> 7 mm overtravel incl. 2 safety screws M4 x 14	440	1 ea.	<b>079741</b> ACTUATOR-X-GNQ
Actuator Angled Rubber bush, overtravel	<b>X-WNQ</b> 7 mm overtravel incl. 2 safety screws M4 x 14	440	1 ea.	<b>079742</b> ACTUATOR-X-WNQ

\* The dimension 8 relates to the fitted state

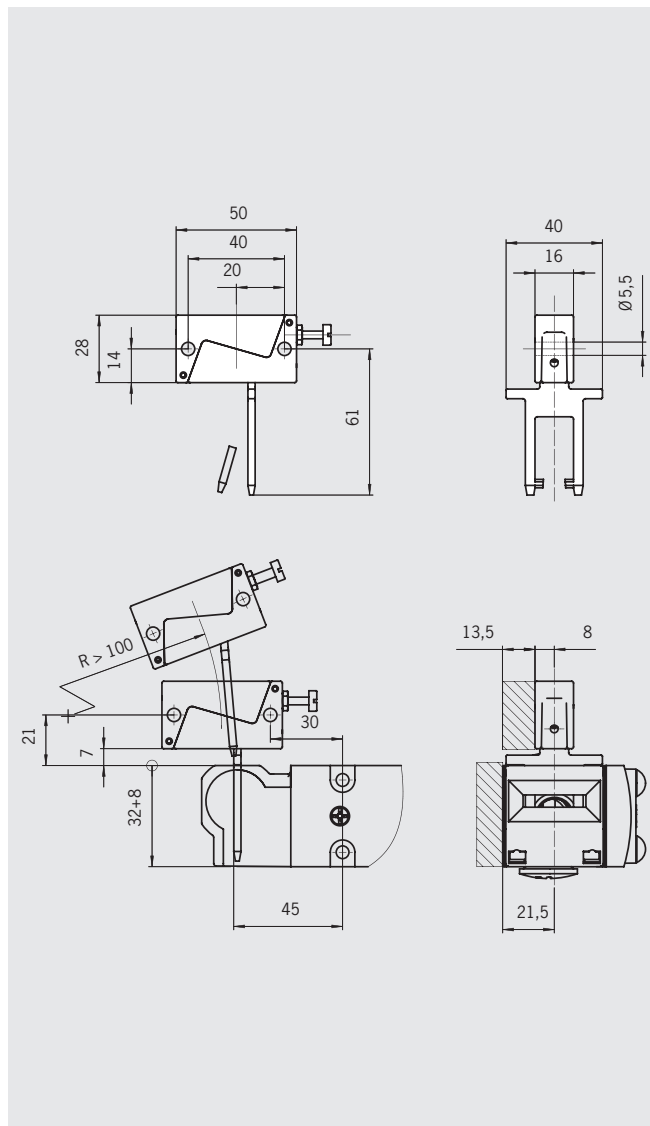
## Hinged actuator X-LR-N

Radius  $\geq 100$  mm, safety guard hinged on right/left



## Hinged actuator X-OU-N

Radius  $\geq 100$  mm, safety guard hinged at bottom/top



## Ordering table

Designation	Design	Min. door radius r [mm]	Packaging unit	Order no./item
Hinged actuator	<b>X-LR-N</b> Safety guard hinged on the right or left incl. 2 safety screws M5 x 10	$\geq 100$	1 ea.	<b>098082</b> HINGED ACTUATOR-X-LR-N
	<b>X-OU-N</b> Safety guard hinged at top or bottom incl. 2 safety screws M5 x 10	$\geq 100$	1 ea.	<b>097906</b> HINGED ACTUATOR-X-OU-N

For safety precautions see page 197  
For technical data see page 163