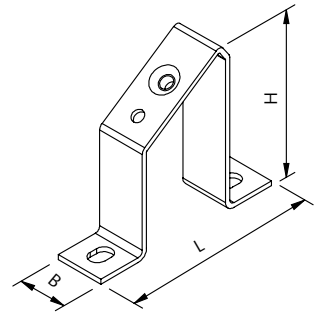


MF

Supports for DIN rails and busbars



Product description

There are 4 models of supports for mounting bus bars 10 × 3 mm or 35 mm DIN rail. Various supports are available to provide solutions for many different conditions.

A mounting clip is used for fastening the busbar to supports. The support has M6 female screw threads to affix the mounting clip of the DIN rail with a M6 screw.

Order No. 36150

Advantages




- Wide variety of supports with different sizes and design
- Simple assembly of TS-35 DIN rails and 10 × 3 mm bus bars
- Support type D provides possibility to affix 2 TS335 DIN rails

Specification

Material **Steel, galvanically zinc-plated**

Accessories

Bus bar Page 91
 Mounting clip Order No. 36150

Description	Type	Version	Order No. without Clip	Order No. with Clip	Dimension [L × B × H]	PU
 <p>Type A</p>	MF-A49	Type A	36056	36058	80 × 20 × 49 mm	10
	MF-A68	Type A	36064	36066	80 × 20 × 68 mm	10
	MF-A88	Type A	36072	36074	80 × 20 × 88 mm	10
 <p>Type B</p>	MF-B20	Type B	36000	36002	80 × 20 × 20 mm	10
	MF-B30	Type B	36008	36010	80 × 20 × 30 mm	10
	MF-B50	Type B	36016	36018	80 × 20 × 50 mm	10
 <p>Type C</p>	MF-B90	Type B	36024	36026	80 × 20 × 90 mm	10
	MF-C40	Type C	36032	36034	40 × 18 × 40 mm	10
 <p>Type D</p>	MF-C53	Type C	36040	36042	40 × 18 × 53 mm	10
	MF-D49	Type D	36048	36050	120 × 20 × 49 mm	10