



Product Overview

Pushbuttons and switches
Emergency-stop buttons
Panel mount jacks
Industrial networks
RFID systems
Enclosures
Wireless systems
Pedal switches
Terminal blocks
Customised solutions

GEORG SCHLEGEL GmbH & Co. KG is a leading supplier of control units to operate machines and devices. For more than 75 years SCHLEGEL has been developing, designing and producing emergency-stop switches, enclosures, control panels, pushbuttons and switches as well as RFID systems, modular bus systems, panel mount jacks and terminal blocks for many industries.

The family company based in Dürmentingen has another production site in Leipzig and sales offices in Austria, Singapore, China and the USA. In addition, SCHLEGEL has distributors in more than 80 countries on five continents. Renowned companies all around the globe have trust in the quality of SCHLEGEL products.

SCHLEGEL products, all "Made in Germany", are characterised by high quality and award-winning design. Our extensive product portfolio in a modular system is perfectly harmonised so that elements of our series allow versatile combinations.

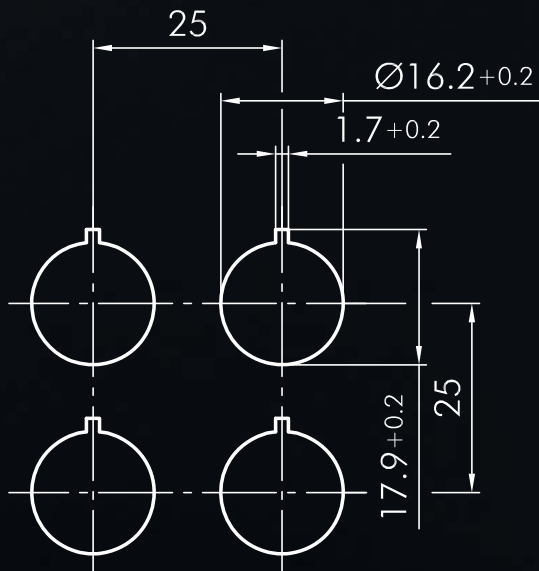
The high degree of independence and high production depth gives us the necessary scope for demanding tasks. Our customers appreciate this flexibility when looking for customised solutions. A close support in the development and production process is just as natural for us as a transparent and fair culture of cooperation.

The company GEORG SCHLEGEL GmbH & Co. KG is a company with tradition which also faces the new challenges of the future with pleasure. With our innovative products we ensure a further development in our target industries. True to the company's motto: "If you stop trying to improve, one day you will stop being good."



→ mYnitron®

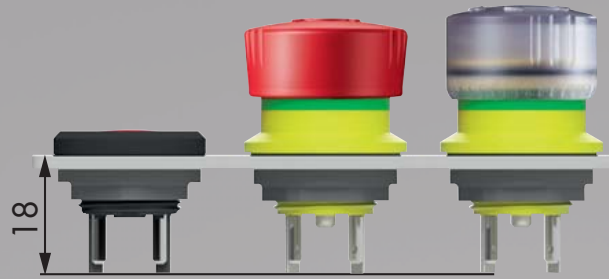
Front dimension:	Ø 23.5 mm
Panel cut-out:	Ø 16.2 mm
Front bezel height:	4 mm
Degree of protection*:	IP65/IP67 IP65/IP67/IP69K (Emergency-stop)
Front bezel colour:	 



→ Configurator



➔ Mounting depth dimensions Mounting depth dimensions




		Pushbutton	Emergency-stop
IEC/EN 60947-5-1 **	AC	35 V / 0.1 A	35 V / 5 A
	DC	35 V / 0.1 A	35 V / 2 A
Connection type		Faston	Faston

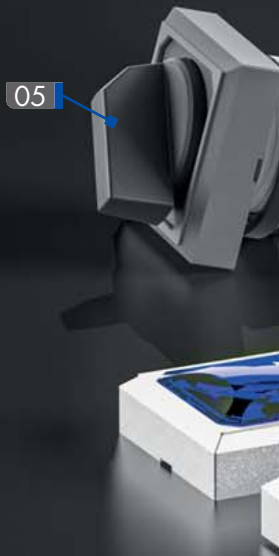
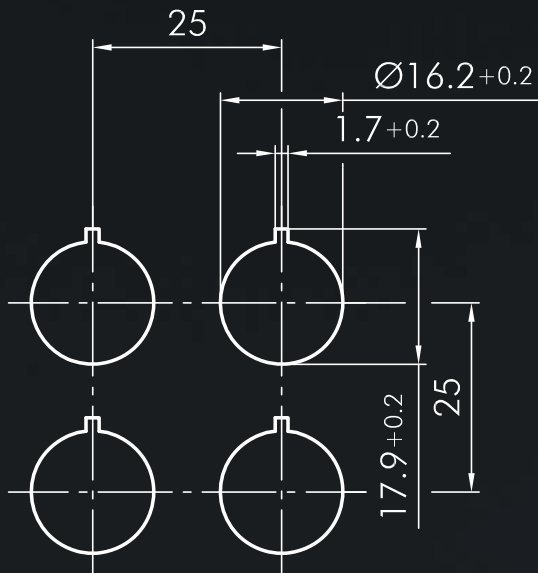
** maximum voltage or current values, depending on the type they may also be lower, e.g. for gold-plated contacts or depending on the number of connections



- 01 Pushbuttons
- 02 Emergency-stops
- 03 Emergency-stops active / inactive

* individual degree of protection, depending on the respective type

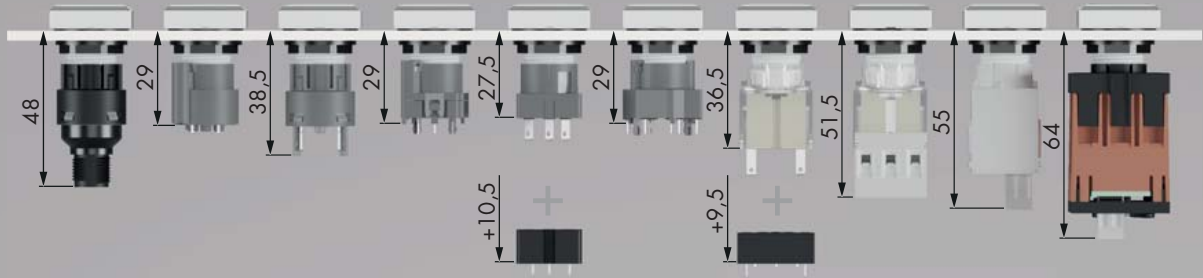
Front dimension: 25 x 25 mm
Panel cut-out: Ø 16.2 mm
Front bezel height: 7.5 mm
Travel: 3 mm
Degree of protection*: IP65
IP65/IP67 (Emergency-stop)
Front bezel colours: 



→ Configurator



➔ Mounting depth dimensions



	FRT...C...	FRTP...	FRTF...	CTP...485	CT.../CTF...	CZ...	B...	B...K	ASI	ASI_SAW
IEC/EN 60947-5-1	AC 35 V / 4 A	240 V / 1.5 A	240 V / 1.5 A	48 V / 0.1 A	48 V / 0.1 A	48 V / 0.1 A	240 V / 1.5 A	240 V / 1.5 A	-	-
**	DC 35 V / 2 A	24 V / 2 A	24 V / 2 A	48 V / 0.1 A	48 V / 0.1 A	48 V / 0.1 A	24 V / 2 A	24 V / 2 A	26.5 - 31.6 V	26.5 - 31.6 V
Connection type	M12	PCB-mount terminals	Faston	PCB-mount terminals	Faston	PCB-mount terminals	Faston	Screw	AS-Interface	AS-Interface

** maximum voltage or current values, depending on the type they may also be lower, e.g. for gold-plated contacts or depending on the number of connections




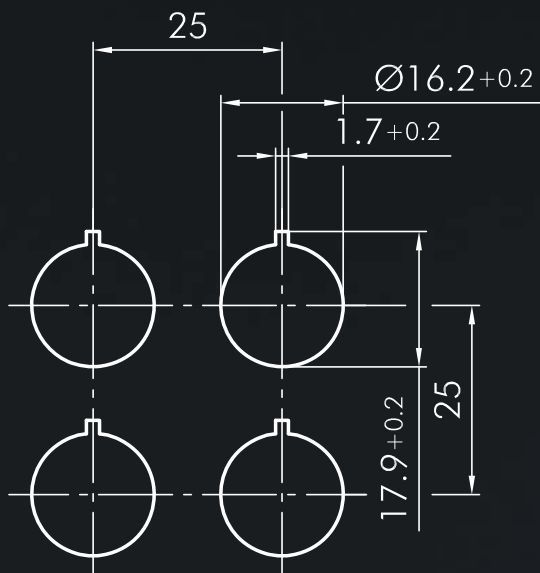
- 01 Pushbutton heads
- 02 Emergency-stop heads
- 03 Mushroom heads
- 04 Knob set for potentiometer
- 05 Selector heads

- 06 Key actuator heads
- 07 Buzzers
- 08 Pilot light heads / pilot lights

* individual degree of protection, depending on the respective type

→ OKTRON®-R

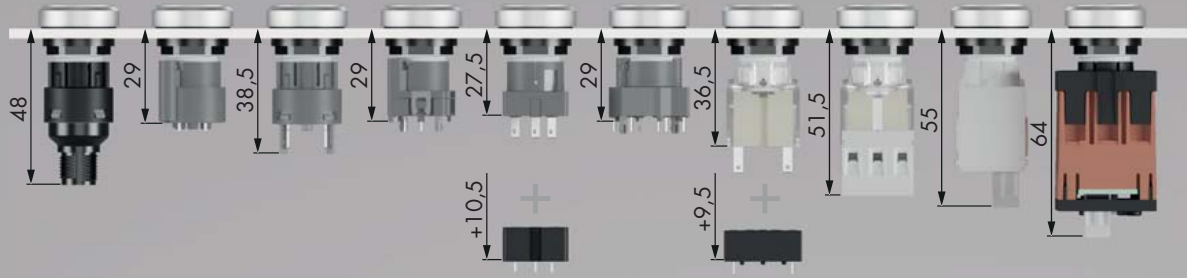
Front dimension:	Ø 25 mm
Panel cut-out:	Ø 16.2 mm
Front bezel height:	7 mm
Travel:	3 mm
Degree of protection*:	IP65 IP65/IP67 (Emergency-stop)
Front bezel colours:	



→ Configurator



➔ Mounting depth dimensions



	FRT...C...	F RTP...	F RTF...	CTP...485	CT.../CTF...	CZ...	B...	B...K	ASI	ASI_SAW
IEC/EN 60947-5-1	AC 35 V / 4 A	240 V / 1.5 A	240 V / 1.5 A	48 V / 0.1 A	48 V / 0.1 A	48 V / 0.1 A	240 V / 1.5 A	240 V / 1.5 A	-	-
**	DC 35 V / 2 A	24 V / 2 A	24 V / 2 A	48 V / 0.1 A	48 V / 0.1 A	48 V / 0.1 A	24 V / 2 A	24 V / 2 A	26.5 - 31.6 V	26.5 - 31.6 V
Connection type	M12	PCB-mount terminals	Faston	PCB-mount terminals	Faston	PCB-mount terminals	Faston	Screw	AS-Interface	AS-Interface

** maximum voltage or current values, depending on the type they may also be lower, e.g. for gold-plated contacts or depending on the number of connections



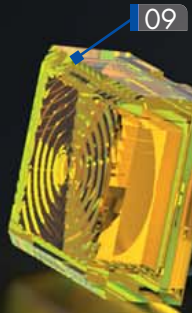
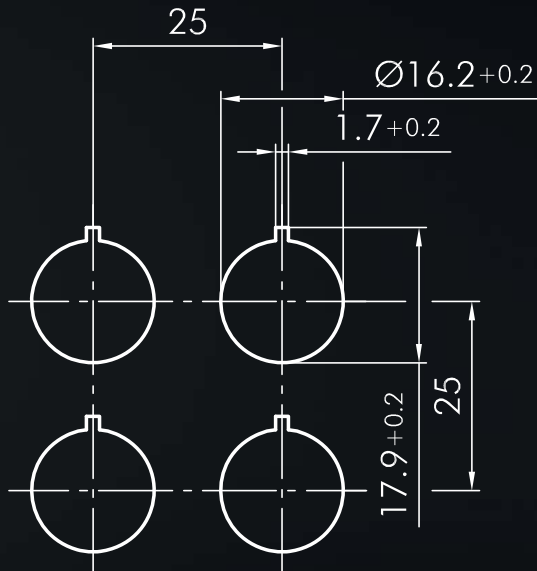
- 01 Pushbutton heads
- 02 Emergency-stop heads
- 03 Mushroom heads
- 04 Knob set for potentiometer
- 05 Selector heads

- 06 Key actuator heads
- 07 Buzzers
- 08 Pilot light heads / pilot lights

* individual degree of protection, depending on the respective type

→ QUARTRON®

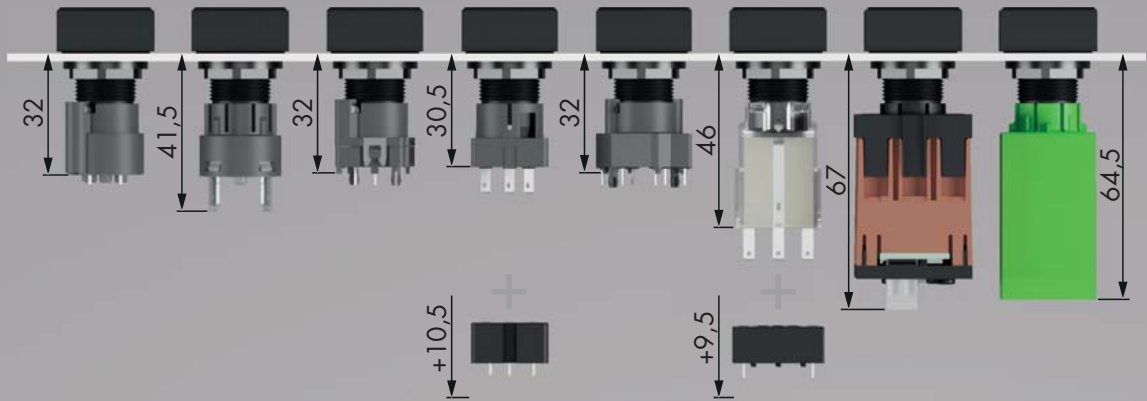
Front dimension:	25 x 25 mm
Panel cut-out:	Ø 16.2 mm
Front bezel height:	12 mm
Travel:	6 mm
Degree of protection*:	IP65/IP67
Front bezel colours:	 



→ Configurator



➔ Mounting depth dimensions



		F RTP...	F RTF...	CTP...485	CT.../CTF...	CZ...	A...	ASI_SAW...	DFA16
IEC/EN 60947-5-1 **	AC	240 V / 1.5 A	240 V / 1.5 A	48 V / 0.1 A	48 V / 0.1 A	48 V / 0.1 A	240 V / 3 A	-	-
	DC	24 V / 2 A	24 V / 2 A	48 V / 0.1 A	48 V / 0.1 A	48 V / 0.1 A	24 V / 2 A	26.5 - 31.6 V	-
Connection type		PCB-mount terminals	Faston	PCB-mount terminals	Faston	PCB-mount terminals	Faston	AS-Interface	Wireless

** maximum voltage or current values, depending on the type they may also be lower, e.g. for gold-plated contacts or depending on the number of connections

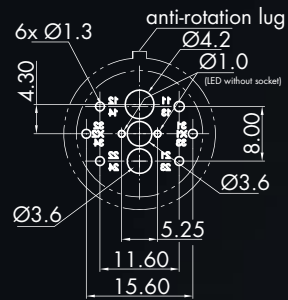
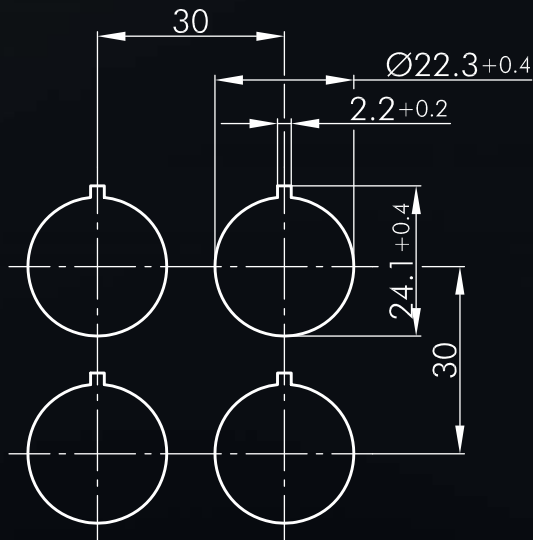


- 01 Pushbutton heads
- 02 Emergency-stop heads
- 03 Mushroom heads
- 04 Knob set for rotary switches / potentiometers
- 05 Selector heads

- 06 Toggle heads
 - 07 Key actuator heads
 - 08 Buzzers
 - 09 Pilot light head / pilot light
- * individual degree of protection, depending on the respective type

→ SHORTRON®

- Front dimension: $\varnothing 28$ mm
- Panel cut-out: $\varnothing 22.3$ mm
- Front bezel height: 2 mm
- Travel: 2.3 mm/1.8 mm
- Degree of protection*: IP65/IP66/IP67/IP69K
- Front bezel colours: 



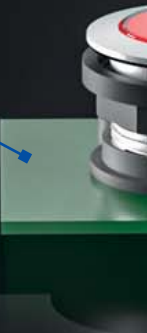
Component side view

Contact assignment: see wiring scheme of the relevant types

PCT...



08



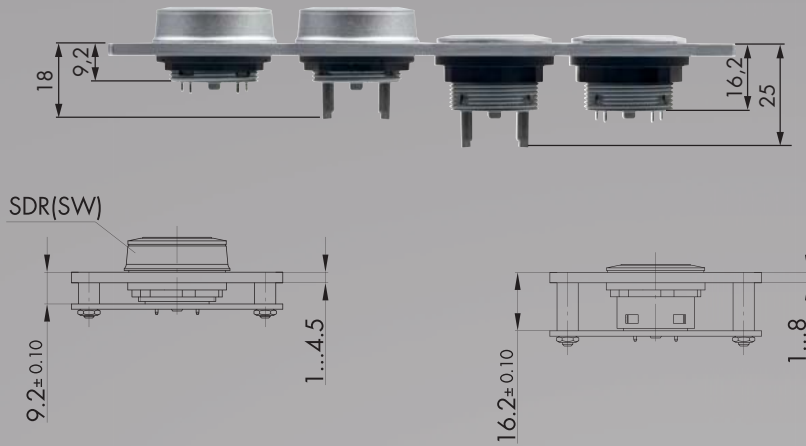
02



→ Configurator



➔ Mounting depth dimensions



		Emergency-stop	Pushbutton
IEC/EN 60947-5-1 **	AC	240 V / 1.5 A	240 V / 1.5 A
	DC	24 V / 2 A	24 V / 2 A
Connection type		Faston / PCB-mount terminals	

** maximum voltage or current values, depending on the type they may also be lower, e.g. for gold-plated contacts or depending on the number of connections




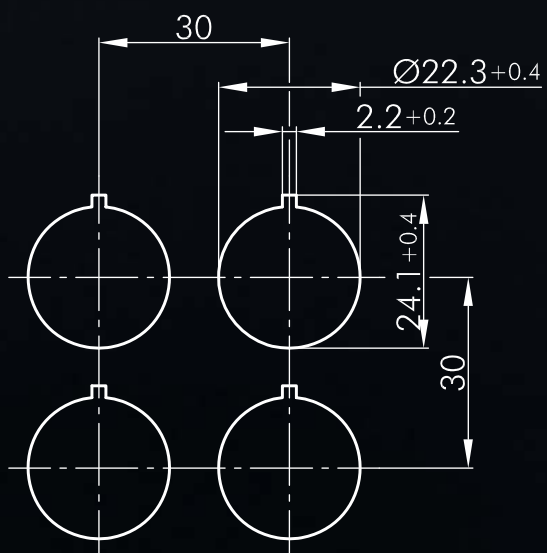
- 01 Pushbuttons (ring illumination), tactile pushbuttons
- 02 Membrane pushbuttons
- 03 Emergency-stops
- 04 Selector switches

- 05 Key switches
- 06 Buzzers
- 07 Pilot lights
- 08 Locking system for base-plate mounting

* individual degree of protection, depending on the respective type

→ SHORTRON[®] connect

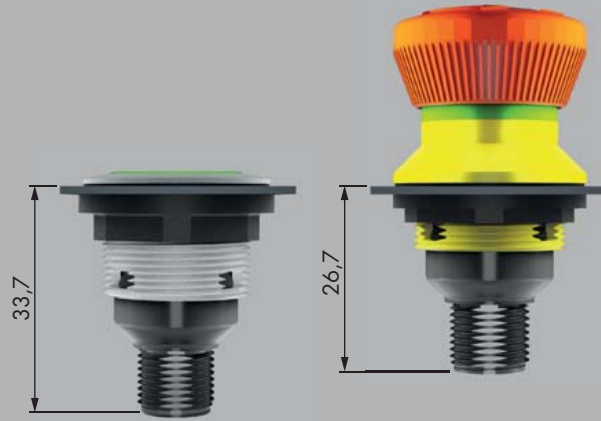
Front dimension:	Ø 28 mm
Panel cut-out:	Ø 22.3 mm
Front bezel height:	2 mm
Travel:	2.3 mm
Degree of protection*:	IP65/IP67 (front) IP65/IP67 (rear)
Front bezel colours:	



→ Configurator



→ Mounting depth dimensions



IEC/EN 60947-5-1 **	Pushbutton		Emergency-stop
	AC	35 V / 4 A	35 V / 4 A
DC	35 V / 2 A	35 V / 2 A	
Connection type	M12		

** maximum voltage or current values, depending on the type they may also be lower, e.g. for gold-plated contacts or depending on the number of connections

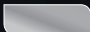


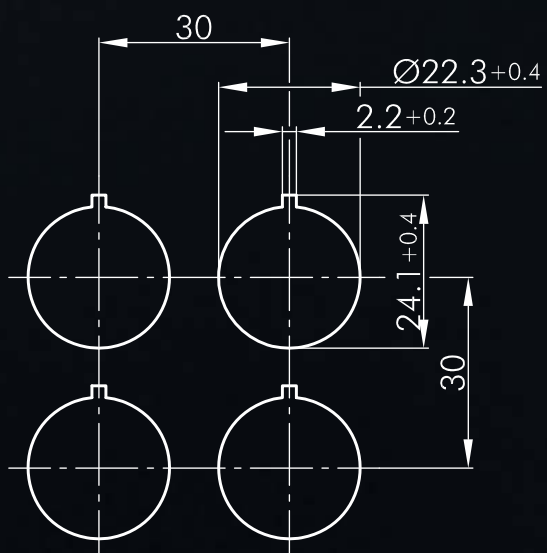
- 01 Pushbuttons (ring illumination)
- 02 Emergency-stops
- 03 Selector switches
- 04 Key switches
- 05 Pilot lights

- 06 Enabling switches
- 07 Potentiometers
- 08 Mounting brackets

* individual degree of protection, depending on the respective type

→ SHORTRON® M12

Front dimension:	Ø 28 mm
Panel cut-out:	Ø 22.3 mm
Front bezel height:	2 mm
Travel:	2.3 mm
Degree of protection*:	IP65/IP67 (front) IP65 (rear)
Front bezel colour:	



→ Configurator



➔ **Mounting depth dimensions**



IEC/EN 60947-5-1 **	AC	Emergency-stop 35 V / 4 A	Pushbutton 35 V / 4 A
	DC	35 V / 2 A	35 V / 2 A
Connection type		M12	

** maximum voltage or current values, depending on the type they may also be lower, e.g. for gold-plated contacts or depending on the number of connections

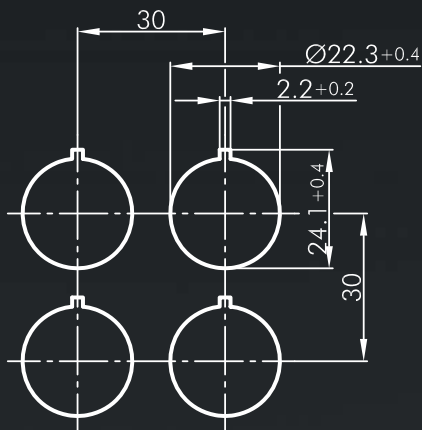


- 01 Pushbuttons
- 02 Emergency-stops
- 03 Selector switches
- 04 Key switches
- 05 Pilot lights

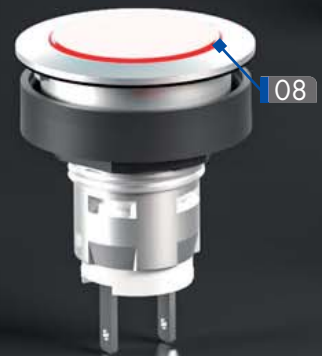
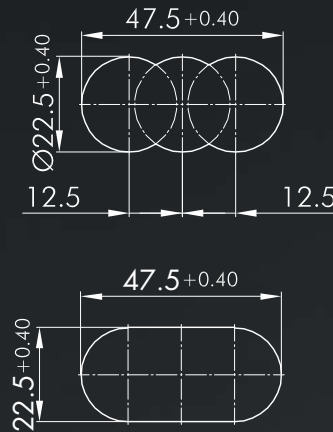
* individual degree of protection, depending on the respective type

→ RONTRON-R-JUWEL

- Front dimension: $\varnothing 28$ mm
- Panel cut-out: $\varnothing 22.3$ mm
- Front bezel height: 2 mm
- Travel: 3 mm
- Degree of protection*: IP65/IP66/IP67/IP69K
- Front bezel colours: 



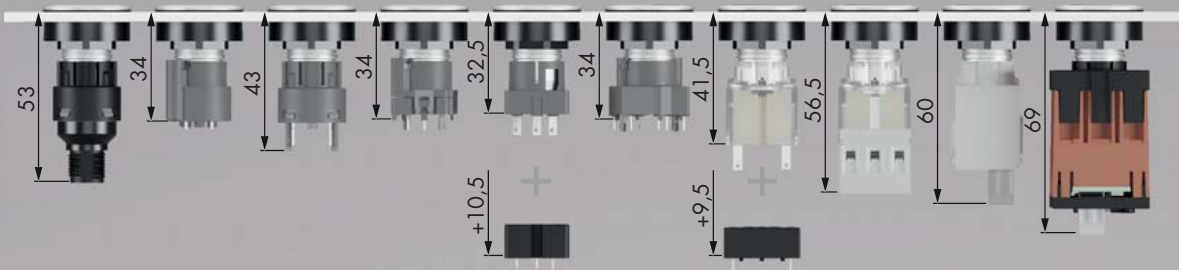
RRJDTLR



→ Configurator



➔ Mounting depth dimensions



	FRT...C...	F RTP...	F RTF...	CTP...485	CT.../CTF...	CZ...	B...	B...K	ASI	ASI_SAW
IEC/EN 60947-5-1 **	AC 35 V / 4 A	240 V / 1.5 A	240 V / 1.5 A	48 V / 0.1 A	48 V / 0.1 A	48 V / 0.1 A	240 V / 1.5 A	240 V / 1.5 A	-	-
	DC 35 V / 2 A	24 V / 2 A	24 V / 2 A	48 V / 0.1 A	48 V / 0.1 A	48 V / 0.1 A	24 V / 2 A	24 V / 2 A	26.5 - 31.6 V	26.5 - 31.6 V
Connection type	M12	PCB-mount terminals	Faston	PCB-mount terminals	Faston	PCB-mount terminals	Faston	Screw	AS-Interface	AS-Interface

** maximum voltage or current values, depending on the type they may also be lower, e.g. for gold-plated contacts or depending on the number of connections



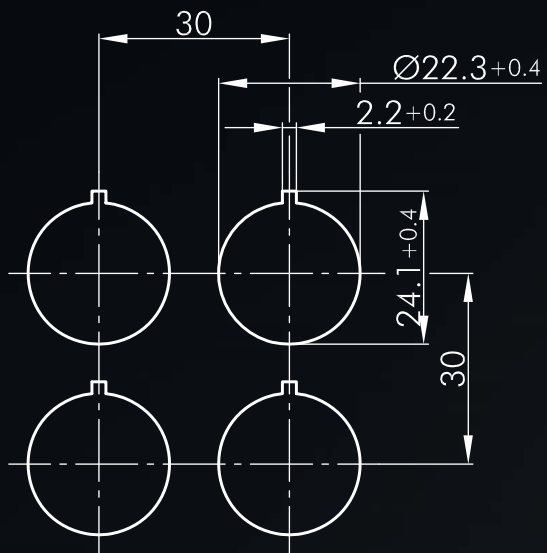
- 01 (Membrane) pushbutton heads (ring illumination)
- 02 Emergency-stop heads
- 03 Knob set for potentiometers
- 04 Selector heads

- 05 Key actuator heads
- 06 Buzzers
- 07 Panel mount jacks
- 08 Pilot light heads / pilot lights

* individual degree of protection, depending on the respective type

→ RONTRON-Q-JUWEL

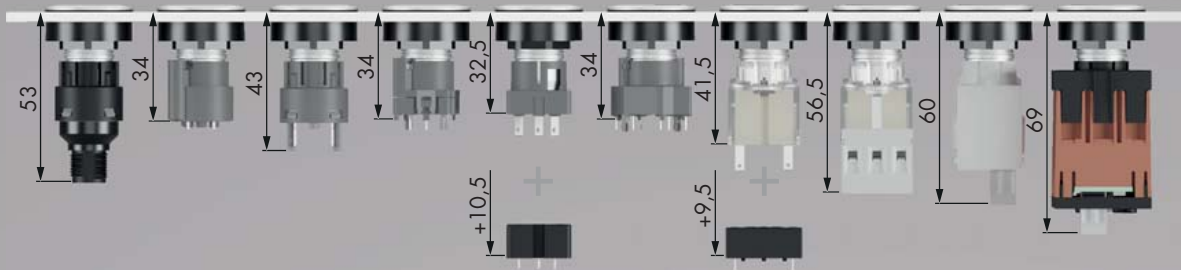
Front dimension:	28 x 28 mm
Panel cut-out:	Ø 22.3 mm
Front bezel height:	2 mm
Travel:	3 mm
Degree of protection*:	IP65
Front bezel colour:	



→ Configurator



➔ **Mounting depth dimensions**



	FRT...C...	F RTP...	FRTF...	CTP...485	CT.../CTF...	CZ...	B...	B...K	ASI	ASI_SAW
IEC/EN 60947-5-1 **	AC 35 V / 4 A	240 V / 1.5 A	240 V / 1.5 A	48 V / 0.1 A	48 V / 0.1 A	48 V / 0.1 A	240 V / 1.5 A	240 V / 1.5 A	-	-
	DC 35 V / 2 A	24 V / 2 A	24 V / 2 A	48 V / 0.1 A	48 V / 0.1 A	48 V / 0.1 A	24 V / 2 A	24 V / 2 A	26.5 - 31.6 V	26.5 - 31.6 V
Connection type	M12	PCB-mount terminals	Faston	PCB-mount terminals	Faston	PCB-mount terminals	Faston	Screw	AS-Interface	AS-Interface

** maximum voltage or current values, depending on the type they may also be lower, e.g. for gold-plated contacts or depending on the number of connections




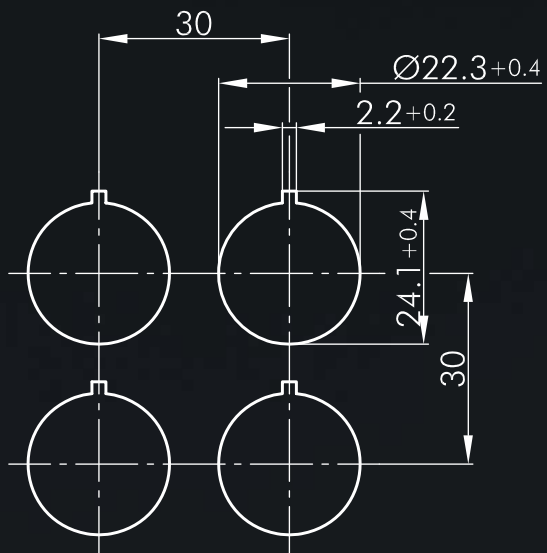
- 01 Pushbutton heads (ring illumination)
- 02 Emergency-stop heads
- 03 Knob set for potentiometers
- 04 Selector heads
- 05 Key actuator heads

- 06 Buzzers
- 07 Panel mount jacks
- 08 Pilot light heads / pilot lights

* individual degree of protection, depending on the respective

→ RX-JUWEL

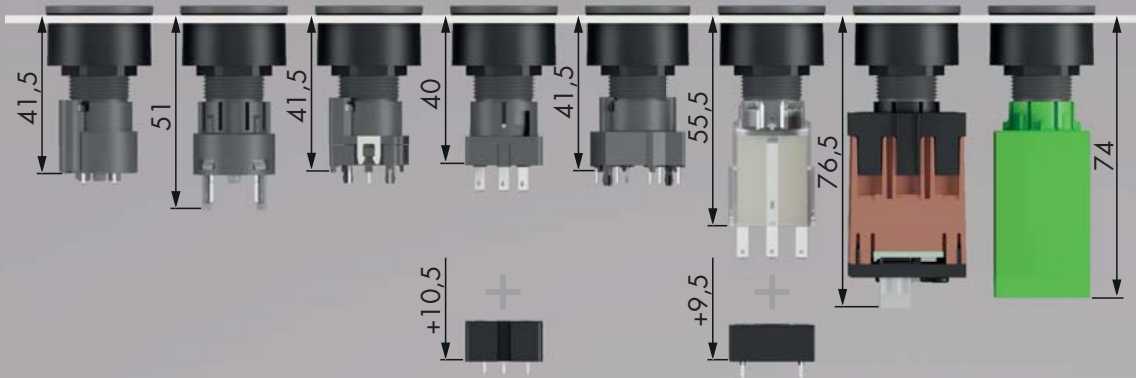
Front dimension:	Ø 28 mm
Panel cut-out:	Ø 22.3 mm
Front bezel height:	2.6 mm
Travel:	6 mm
Degree of protection*:	IP65/IP67
Front bezel colour:	



→ Configurator



➔ Mounting depth dimensions



		F RTP...	F RTF...	CTP...485	CT.../CTF...	CZ...	A...	ASI_SAW...	DFA16
IEC/EN 60947-5-1 **	AC	240 V / 1.5 A	240 V / 1.5 A	48 V / 0.1 A	48 V / 0.1 A	48 V / 0.1 A	240 V / 3 A	-	-
	DC	24 V / 2 A	24 V / 2 A	48 V / 0.1 A	48 V / 0.1 A	48 V / 0.1 A	24 V / 2 A	26.5 - 31.6 V	-
Connection type		PCB-mount terminals	Faston	PCB-mount terminals	Faston	PCB-mount terminals	Faston	AS-Interface	Wireless

** maximum voltage or current values, depending on the type they may also be lower, e.g. for gold-plated contacts or depending on the number of connections



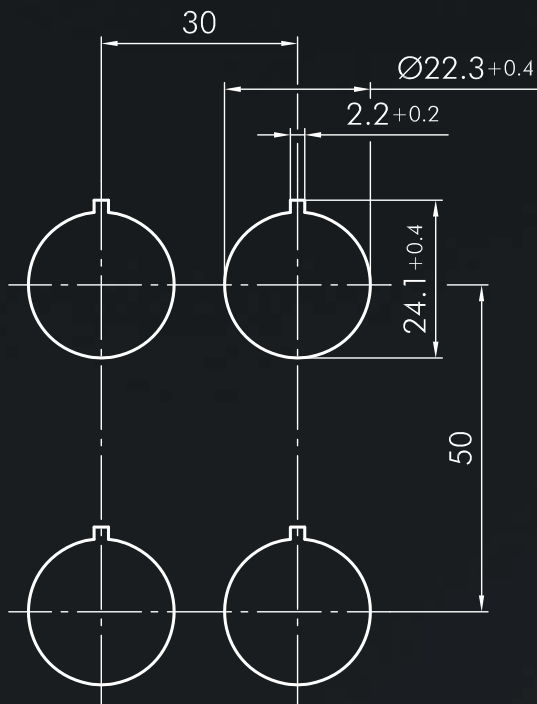
- 01 Pushbutton heads
- 02 Emergency-stop heads
- 03 Knob set for potentiometers
- 04 Selector heads

- 05 Key actuator heads
- 06 Buzzers
- 07 Pilot light heads / pilot lights

* individual degree of protection, depending on the respective type

→ RONDEX-JUWEL®

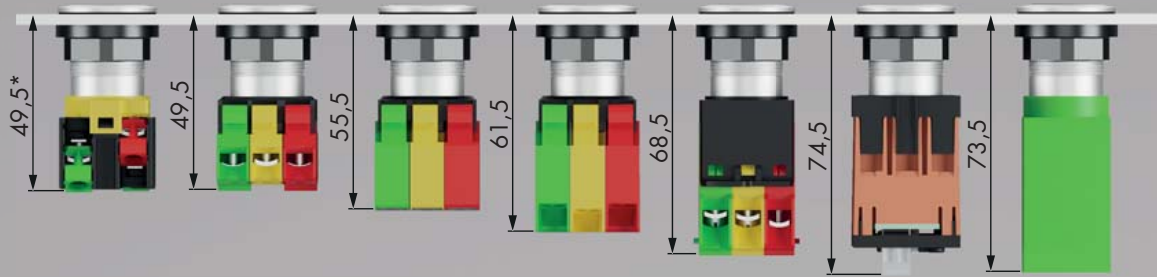
Front dimension:	Ø 28 mm
Panel cut-out:	Ø 22.3 mm
Front bezel height:	2 mm
Travel:	6 mm
Degree of protection*:	IP65/IP67 IP65/IP67/IP69K (Emergency-stop)
Front bezel colours:	



→ Configurator



➔ Mounting depth dimensions



* ETR2 70.5mm, ETLR 59.5mm, EL9R 45.5mm

		ET...	MK...	DS...	DT...	M...	ASI_SAW22...	DFA22
IEC/EN 60947-5-1 **	AC	400 V / 3 A	480 V / 1.5 A	380V / 1.9 A	380V / 1.9 A	440 V / 1.6 A	-	-
	DC	24 V / 2 A	24 V / 2A	24 V / 2A	24 V / 2A	24 V / 2A	26.5 - 31.6 V	-
Connection type		Screw	Screw	Spring-Cage	Spring-Cage	Screw	AS-Interface	Wireless

** maximum voltage or current values, depending on the type they may also be lower, e.g. for gold-plated contacts or depending on the number of connections



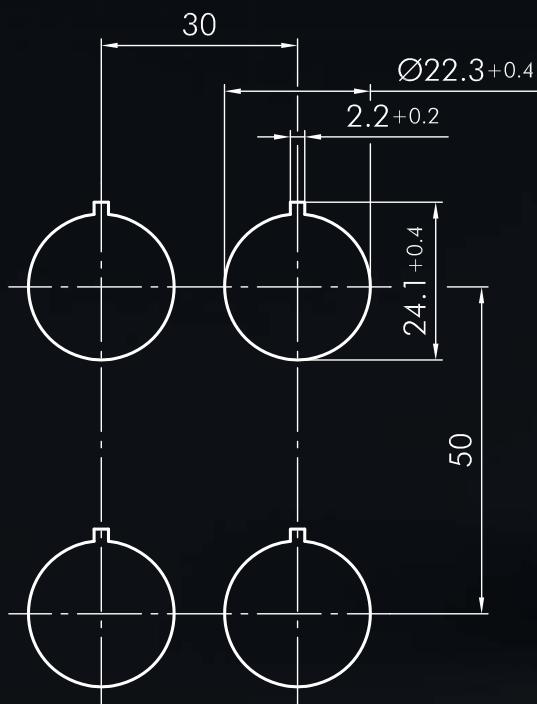
- 01 Pushbutton heads (ring illumination)
- 02 Emergency-stop heads
- 03 Selector heads
- 04 Key actuator heads

- 05 Panel mount jacks
- 06 Pilot light heads

* individual degree of protection, depending on the respective type

→ RONDEX-M

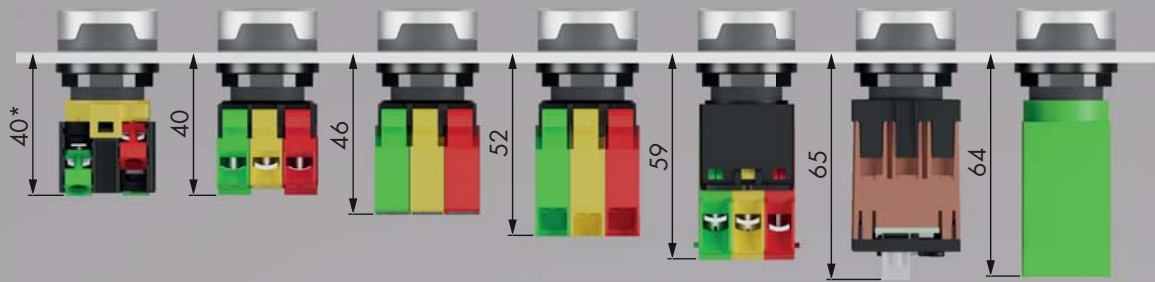
Front dimension:	Ø 28 mm
Panel cut-out:	Ø 22.3 mm
Front bezel height:	12 mm
Travel:	6 mm
Degree of protection*:	IP65/IP67
Front bezel colour:	



→ Configurator



➔ Mounting depth dimensions



* ETR2 61 mm, ETLR 50 mm, EL9R 36 mm

		ET...	MK...	DS...	DT...	M...	ASI_SAW22...	DFA22
IEC/EN 60947-5-1 **	AC	400 V / 3 A	480 V / 1.5 A	380V / 1.9 A	380V / 1.9 A	440 V / 1.6 A	-	-
	DC	24 V / 2 A	24 V / 2A	24 V / 2A	24 V / 2A	24 V / 2A	26.5 - 31.6 V	-
Connection type		Screw	Screw	Spring-Cage	Spring-Cage	Screw	AS-Interface	Wireless

** maximum voltage or current values, depending on the type they may also be lower, e.g. for gold-plated contacts or depending on the number of connections



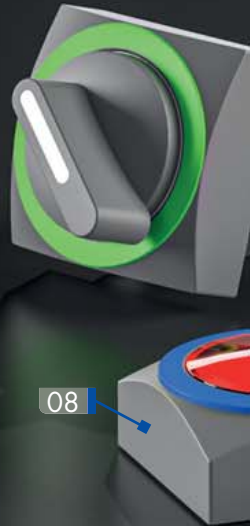
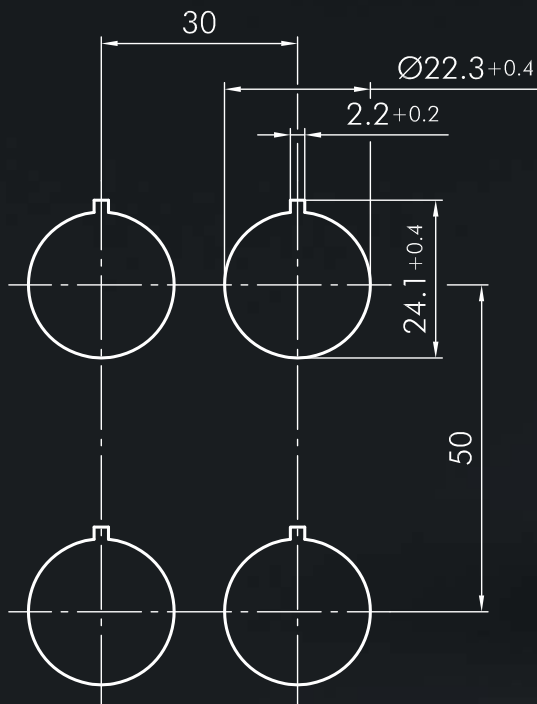
- 01 Pushbutton heads (ring illumination)
- 02 Emergency-stop heads
- 03 Mushroom heads
- 04 Knob set for potentiometers
- 05 Selector heads

- 06 Toggle heads
- 07 Key actuator heads
- 08 Buzzers
- 09 Pilot light heads / pilot lights

* individual degree of protection, depending on the respective type

→ QUARTEX®-R

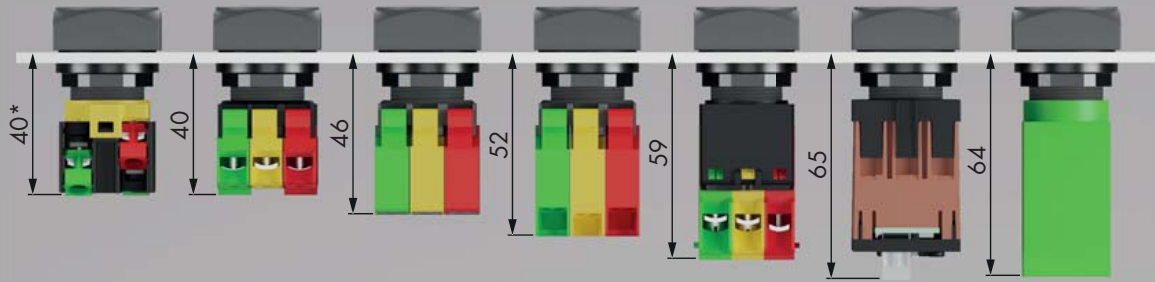
Front dimension: 30 x 30 mm
Panel cut-out: Ø 22.3 mm
Front bezel height: 12 mm
Travel: 6 mm
Degree of protection*: IP65/IP67
Front bezel colour: 



→ Configurator



➔ **Mounting depth dimensions**



* ETR2 61 mm, ETLR 50 mm, EL9R 36mm

		ET...	MK...	DS...	DT...	M...	ASI_SAW22...	DFA22
IEC/EN 60947-5-1 **	AC	400 V / 3 A	480 V / 1.5 A	380V / 1.9 A	380V / 1.9 A	440 V / 1.6 A	-	-
	DC	24 V / 2 A	24 V / 2A	24 V / 2A	24 V / 2A	24 V / 2A	26.5 - 31.6 V	-
Connection type		Screw	Screw	Spring-Cage	Screw	Screw	AS-Interface	Wireless

** maximum voltage or current values, depending on the type they may also be lower, e.g. for gold-plated contacts or depending on the number of connections



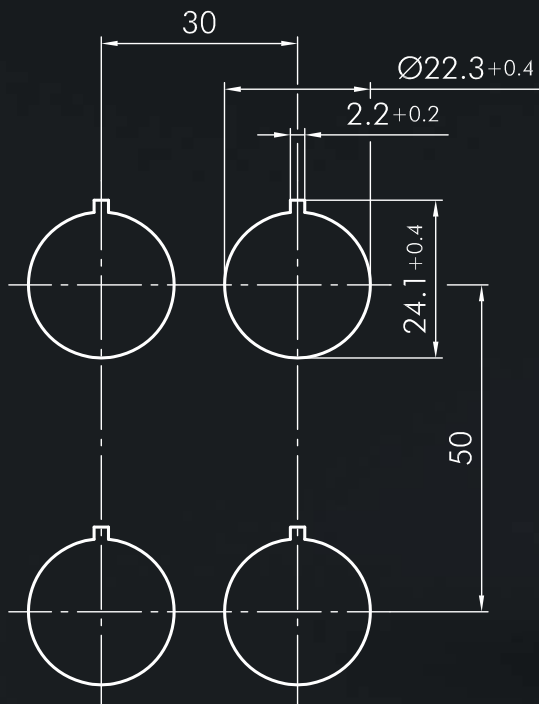
- 01 Pushbutton heads
- 02 Emergency-stop heads
- 03 Mushroom heads
- 04 Knob set for potentiometers
- 05 Selector heads / knob set for rotary switches

- 06 Toggle heads
- 07 Key actuator heads
- 08 Pilot light heads / pilot lights

* individual degree of protection, depending on the respective type

→ RVA

Front dimension: $\varnothing 28$ mm
Panel cut-out: $\varnothing 22.3$ mm
Front bezel height: 12 mm
Travel: 6 mm
Degree of protection*: IP65/IP69K
Front bezel colour: 



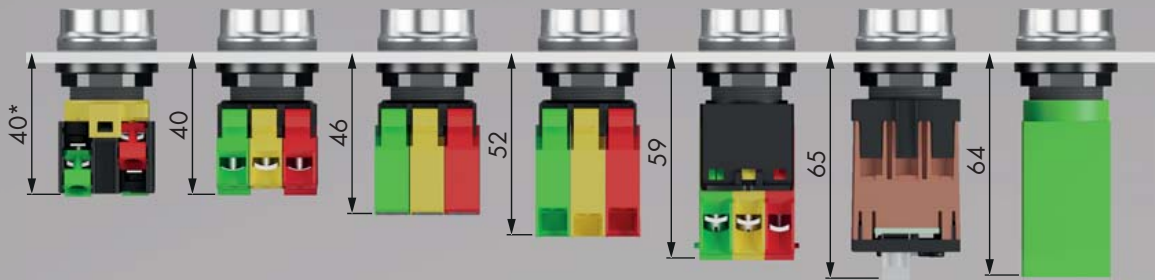
→ Configurator



Design Award Winner 2000

excellent! Design Center Stuttgart

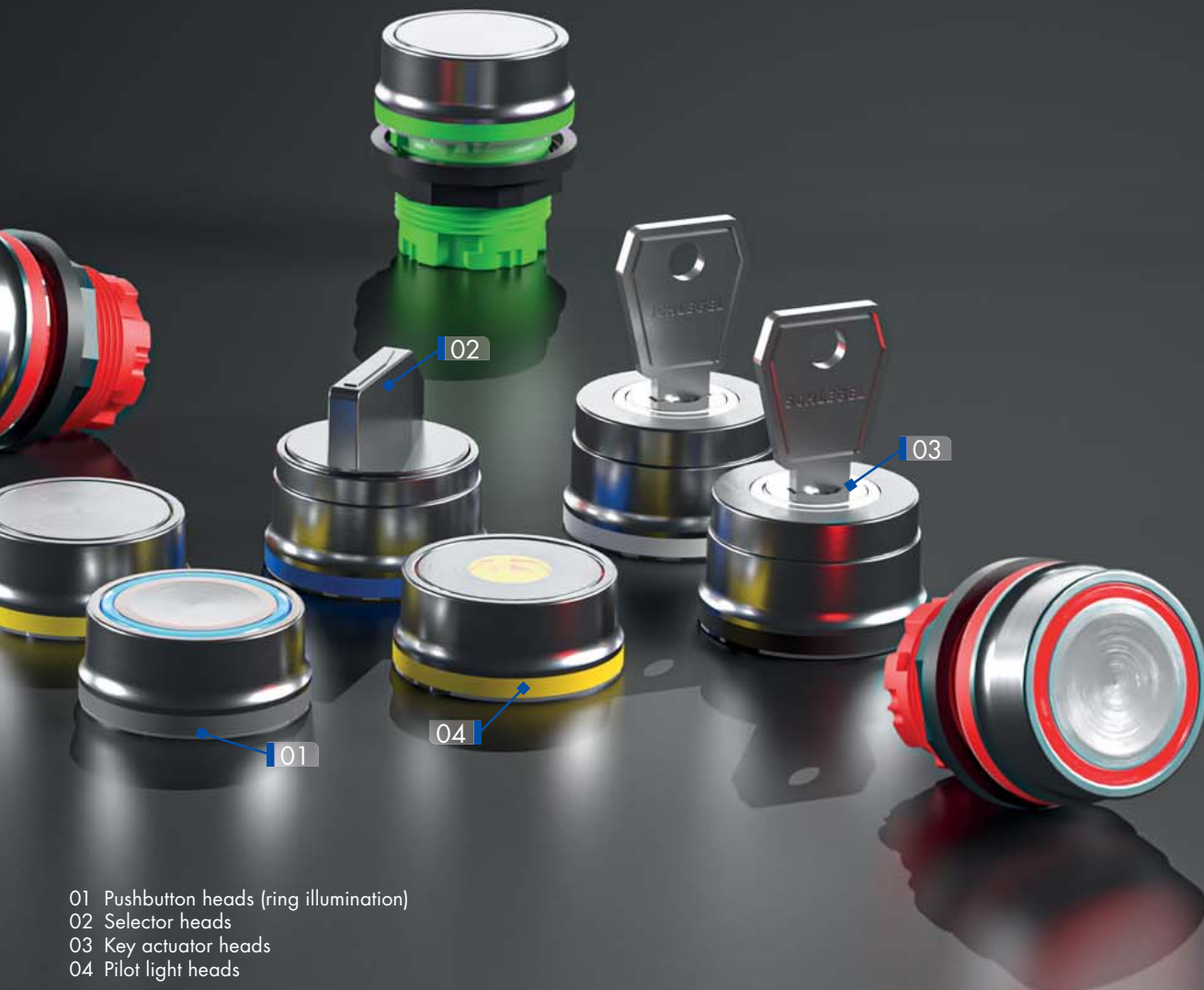
➔ Mounting depth dimensions



* ETR2 61 mm, ETLR 50 mm, EL9R 36 mm

		ET...	MK...	DS...	DT...	M...	ASI_SAW22...	DFA22
IEC/EN 60947-5-1 **	AC	400 V / 3 A	480 V / 1.5 A	380V / 1.9 A	380V / 1.9 A	440 V / 1.6 A	-	-
	DC	24 V / 2 A	24 V / 2A	24 V / 2A	24 V / 2A	24 V / 2A	26.5 - 31.6 V	-
Connection type		Screw	Screw	Spring-Cage	Spring-Cage	Screw	AS-Interface	Wireless

** maximum voltage or current values, depending on the type they may also be lower, e.g. for gold-plated contacts or depending on the number of connections

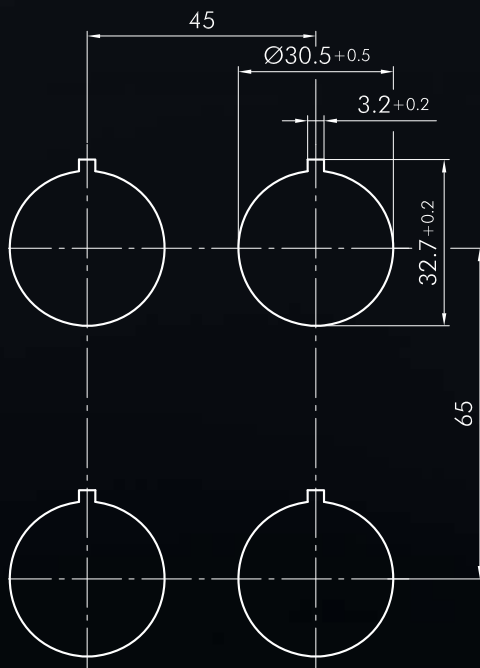


- 01 Pushbutton heads (ring illumination)
- 02 Selector heads
- 03 Key actuator heads
- 04 Pilot light heads

* individual degree of protection, depending on the respective type

→ KOMBITAST®-R-JUWEL

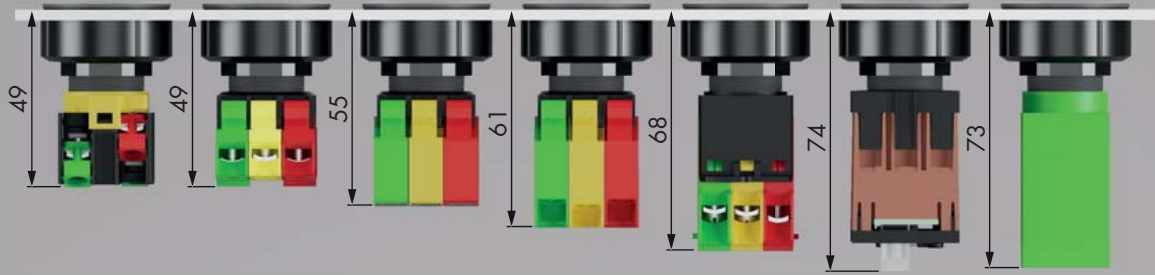
Front dimension:	Ø 36 mm
Panel cut-out:	Ø 30.5 mm
Front bezel height:	2.7 mm
Travel:	6 mm
Degree of protection*:	IP65/IP67/IP69K
Front bezel colour:	



→ Configurator



➔ Mounting depth dimensions



* ETR2 69 mm, ETLR 58 mm, EL9R 44 mm

		ET...	MK...	DS...	DT...	M...	ASI_SAW22...	DFA22
IEC/EN 60947-5-1 **	AC	400 V / 3 A	480 V / 1.5 A	380V / 1.9 A	380V / 1.9 A	440 V / 1.6 A	-	-
	DC	24 V / 2 A	24 V / 2A	24 V / 2A	24 V / 2A	24 V / 2A	26.5 - 31.6 V	-
Connection type		Screw	Screw	Spring-Cage	Spring-Cage	Screw	AS-Interface	Wireless

** maximum voltage or current values, depending on the type they may also be lower, e.g. for gold-plated contacts or depending on the number of connections



- 01 Pushbutton heads (ring illumination)
- 02 Emergency-stop heads
- 03 Mushroom heads
- 04 Knob set for rotary switches / potentiometers
- 05 Selector heads

- 06 Taggle heads
- 07 Key actuator heads
- 08 Panel mount jacks
- 09 Pilot light heads / pilot lights

* individual degree of protection, depending on the respective type

→ OKTRON®-JUWEL

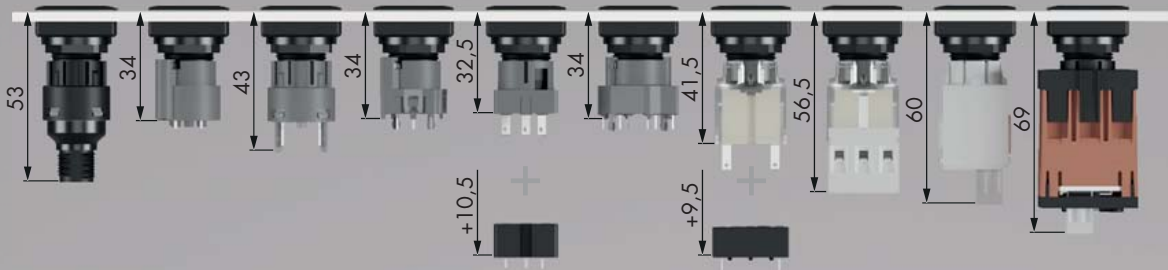
Front dimension:	25 x 25 mm
Panel cut-out:	23.1 x 23.1 mm
Front bezel height:	2 mm
Travel:	3 mm
Degree of protection*:	IP65/IP66/IP67/IP69K
Front bezel colour:	



→ Configurator



➔ Mounting depth dimensions



		FRT...C...	F RTP...	F RTF...	CTP...485	CT.../CTF...	CZ...	B...	B...K	ASI	ASI_SAW
IEC/EN 60947-5-1 **	AC	35 V / 4 A	240 V / 1.5 A	240 V / 1.5 A	48 V / 0.1 A	48 V / 0.1 A	48 V / 0.1 A	240 V / 1.5 A	240 V / 1.5 A	-	-
	DC	35 V / 2 A	24 V / 2 A	24 V / 2 A	48 V / 0.1 A	48 V / 0.1 A	48 V / 0.1 A	24 V / 2 A	24 V / 2 A	26.5 - 31.6 V	26.5 - 31.6 V
Connection type		M12	PCB-mount terminals	Faston	PCB-mount terminals	Faston	PCB-mount terminals	Faston	Screw	AS-Interface	AS-Interface

** maximum voltage or current values, depending on the type they may also be lower, e.g. for gold-plated contacts or depending on the number of connections

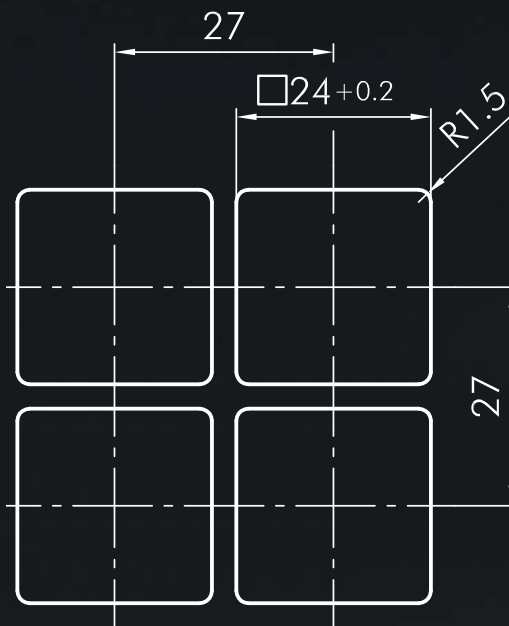


- 01 Pushbutton heads
- 02 Emergency-stop heads
- 03 Knob set for potentiometers
- 04 Selector heads
- 05 Key actuator heads
- 06 Buzzers
- 07 Panel mount jacks
- 08 Pilot light heads / pilot lights

* individual degree of protection, depending on the respective type

→ QUARTRON-JUWEL®

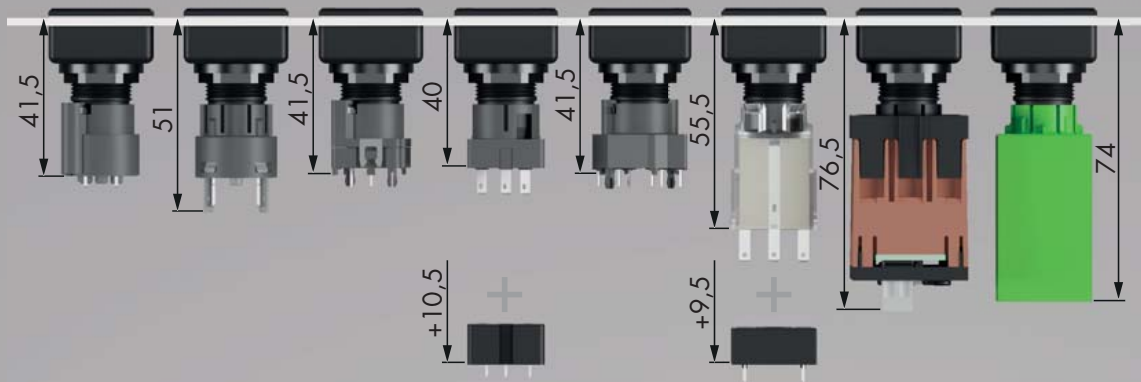
Front dimension:	27 x 27 mm
Panel cut-out:	24 x 24 mm
Front bezel height:	2.5 mm
Travel:	6 mm
Degree of protection*:	IP65/IP66/IP67
Front bezel colour:	



→ Configurator



➔ Mounting depth dimensions



		F RTP...	F RTF...	CTP...485	CT.../CTF...	CZ...	A...	ASI_SAW...	DFAT6
IEC/EN 60947-5-1 **	AC	240 V / 1.5 A	240 V / 1.5 A	48 V / 0.1 A	48 V / 0.1 A	48 V / 0.1 A	240 V / 3 A	-	-
	DC	24 V / 2 A	24 V / 2 A	48 V / 0.1 A	48 V / 0.1 A	48 V / 0.1 A	24 V / 2 A	26.5 - 31.6 V	-
Connection type		PCB-mount terminals	Faston	PCB-mount terminals	Faston	PCB-mount terminals	Faston	AS-Interface	Wireless

** maximum voltage or current values, depending on the type they may also be lower, e.g. for gold-plated contacts or depending on the number of connections



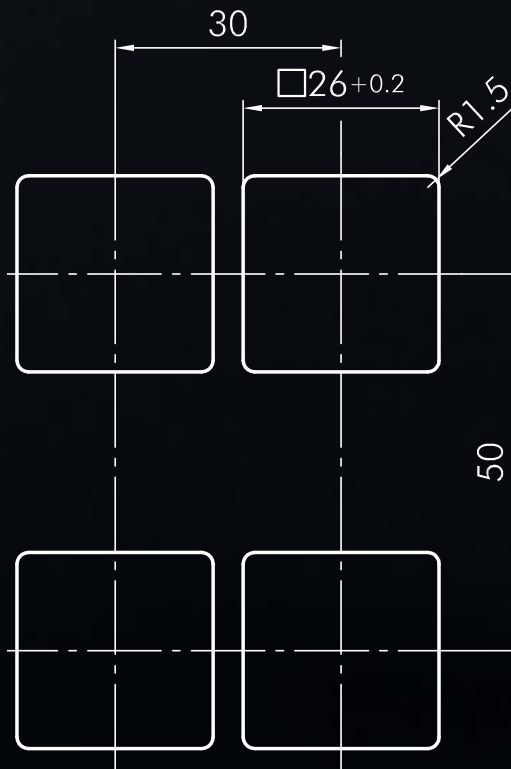
- 01 Pushbutton heads
- 02 Emergency-stop heads
- 03 Mushroom heads
- 04 Knob set for potentiometers
- 05 Selector heads

- 06 Toggle heads
- 07 Key actuator heads
- 08 Buzzers
- 09 Pilot light heads / pilot lights

* individual degree of protection, depending on the respective type

→ QUARTEX®-R-JUWEL

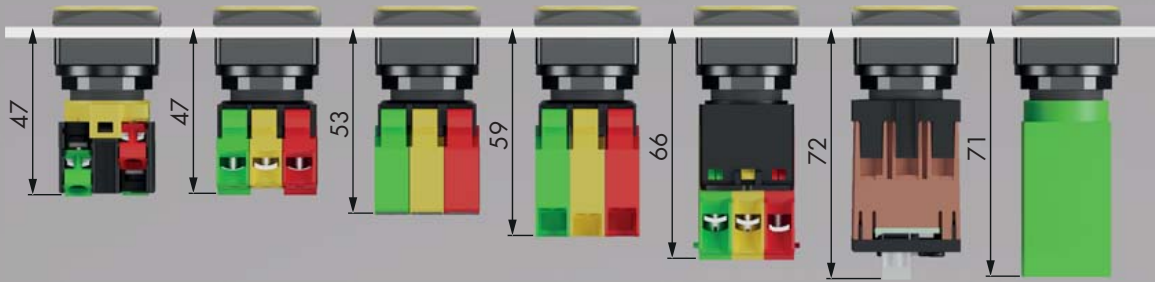
Front dimension:	30 x 30 mm
Panel cut-out:	26 x 26 mm
Front bezel height:	6 mm
Travel:	6 mm
Degree of protection*:	IP65/IP67
Front bezel colour:	



→ Configurator



➔ **Mounting depth dimensions**



* ETR2 68 mm, ETLR 57 mm, EL9R 43 mm

		ET...	MK...	DS...	DT...	M...	ASI_SAW22...	DFA22
IEC/EN 60947-5-1 **	AC	400 V / 3 A	480 V / 1.5 A	380V / 1.9 A	380V / 1.9 A	440 V / 1.6 A	-	-
	DC	24 V / 2 A	24 V / 2A	24 V / 2A	24 V / 2A	24 V / 2A	26.5 - 31.6 V	-
Connection type		Screw	Screw	Spring-Cage	Spring-Cage	Screw	AS-Interface	Wireless

** maximum voltage or current values, depending on the type they may also be lower, e.g. for gold-plated contacts or depending on the number of connections



- 01 Pushbutton heads
- 02 Emergency-stop heads
- 03 Knob set for potentiometers
- 04 Selector heads / knob set for rotary switches

- 05 Toggle heads
- 06 Key actuator heads
- 07 Pilot light heads / pilot lights

* individual degree of protection, depending on the respective type



Georg Schlegel GmbH & Co. KG
Kapellenweg 4
88525 Dürmentingen / Germany

☎ +49 7371 502-0
📠 +49 7371 502 49
@ info@schlegel.biz
🌐 www.schlegel.biz



More Subsidiaries:

Schlegel Elektrokontakt GmbH
Schönbachstr. 93
04299 Leipzig / **Germany**

☎ +49 (0)341 / 8 68 72-0
📠 +49 (0)341 / 8 68 72 43
@ leipzig@schlegel.biz
www.schlegel.biz

Georg Schlegel Vertriebs Ges.mbH
Samuel Morse-Straße 7
2700 Wiener Neustadt / **Austria**

☎ +43 (0)2622 / 81313
📠 +43 (0)2622 / 81313-19
@ schlegel@schlegel.at
www.schlegel.at

Schlegel USA Inc.
711 Jefferson Avenue, Cliffside Park
New York 07010 / **USA**

☎ +1 (917)900 / 3002
📠 +1 (917)580 / 6243
@ sales@schlegelusa.com
www.schlegelusa.com

Schlegel Electronics (Guangzhou) Co. Ltd.
Unit 821, Block G1, 31 Kefeng Road
Huangpu District, Guangzhou 510663 / **China**

☎ +861 3902309384
@ wei@schlegel.com.cn
www.schlegel.com.cn